



T&S BRASS AND BRONZE WORKS, INC.

2 Saddleback Cove / P.O. Box 1088
Travelers Rest, SC 29690



REG. #A2601
ISO #9001

Model No.

B-0890

Item No.

Travelers Rest, SC: 800-476-4103 Simi Valley, CA: 800-423-0150 Fax: 864-834-3518 www.tsbrass.com

This Space for Architect/Engineer Approval

Job Name _____ Date _____

Model Specified _____ Quantity _____

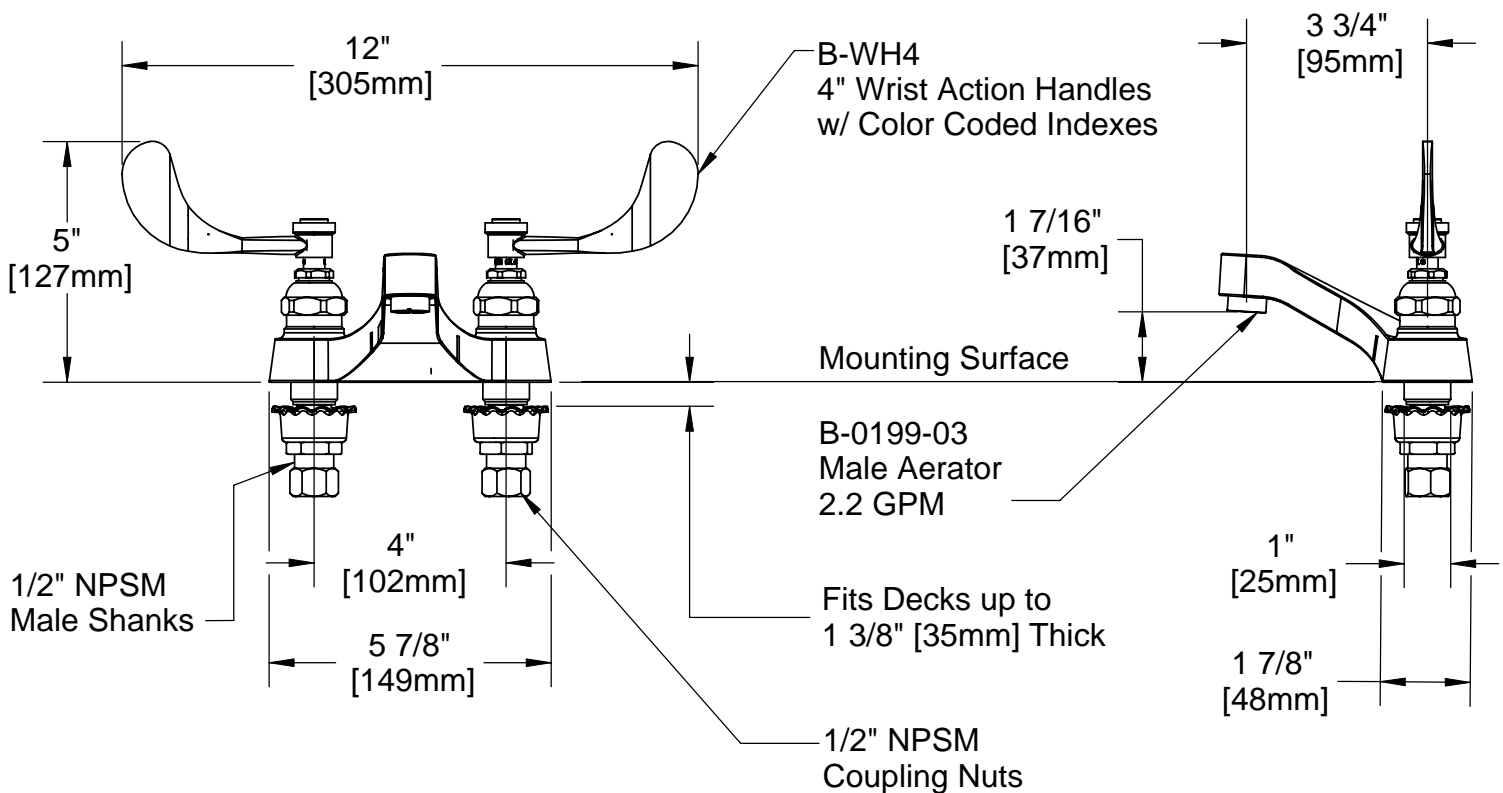
Customer/Wholesaler _____

Contractor _____

Architect/Engineer _____



ADA Compliant



Note: Rough-In Requirement
Ø 1 1/8" [Ø 29mm] Holes

Product Specifications:

Medical Deck Mount Mixing Faucet w/ Eterna Cartridges, Lever Handles & 2.2 GPM Aerator

Drawn KJG	Checked DHL	Approved JHB
Scale: 1:4		Date: 06/30/08



T&S BRASS AND BRONZE WORKS, INC.

2 Saddleback Cove / P.O. Box 1088
Travelers Rest, SC 29690



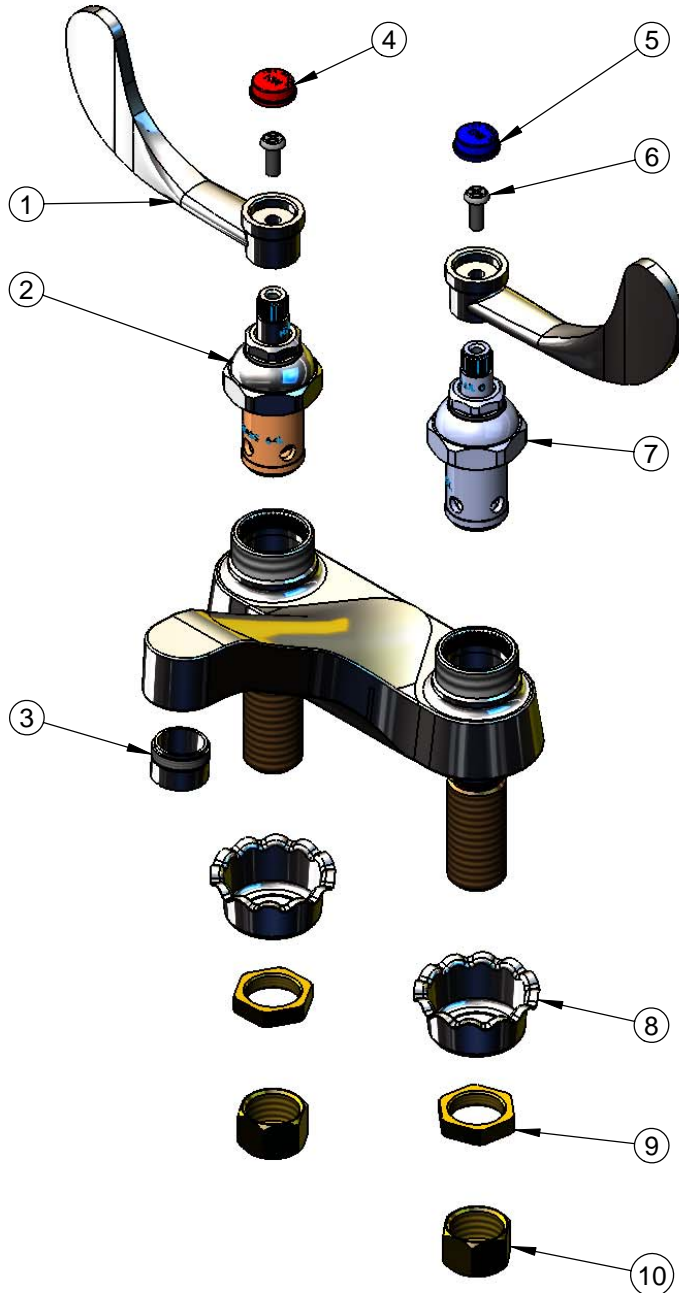
REG. #A2601
ISO #9001

Model No.

B-0890

Item No.

Travelers Rest, SC: 800-476-4103 Simi Valley, CA: 800-423-0150 Fax: 864-834-3518 www.tsbrass.com



ITEM NO.	SALES NO.	DESCRIPTION
1	B-WH4	4" Wrist Action Handle
2	006010-40	Hot Spindle Assembly
3	B-0199-03	2.2 GPM Aerator
4	001194-45	Red HW Index
5	001686-45	Blue CW Index
6	000925-45	Lab Handle Screw
7	006009-40	Cold Spindle Assembly
8	001000-45	Rosette Washer
9	002954-45	Shank Lock Nut
10	000958-20	Coupling Nut

Product Specifications:

Medical Deck Mount Mixing Faucet w/ Eterna Cartridges, Lever Handles & 2.2 GPM Aerator

Drawn KJG	Checked DHL	Approved JHB
Scale: NTS		Date: 06/30/08