



# T&S BRASS AND BRONZE WORKS, INC.

2 Saddleback Cove / P.O. Box 1088  
Travelers Rest, SC 29690



REG. #A2601  
ISO #9001

Model No.

**B-0207-CR-LS**

Item No.

Travelers Rest, SC: 800-476-4103 Simi Valley, CA: 800-423-0150 Fax: 864-834-3518 www.tsbrass.com

This Space for Architect/Engineer Approval

Job Name \_\_\_\_\_ Date \_\_\_\_\_

Model Specified \_\_\_\_\_ Quantity \_\_\_\_\_

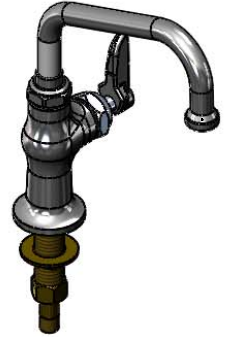
Customer/Wholesaler \_\_\_\_\_

Contractor \_\_\_\_\_

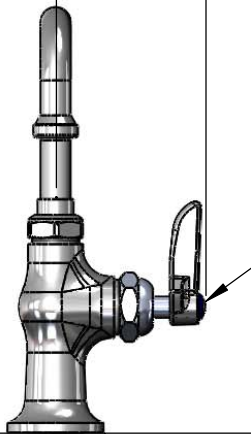
Architect/Engineer \_\_\_\_\_



**ADA Compliant**



3 1/8"  
[86mm]

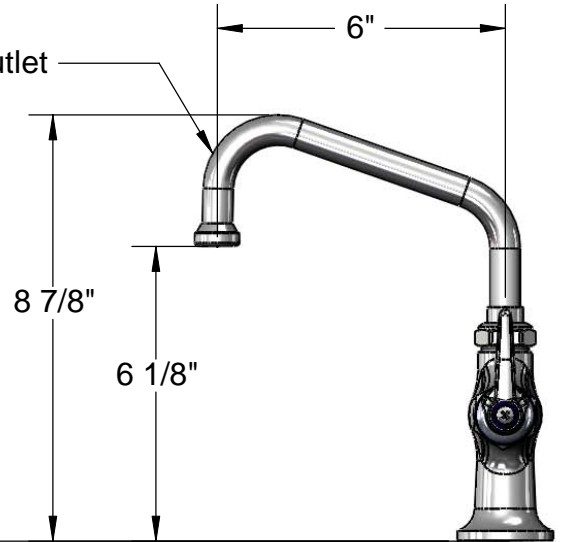


Ceramic Cartridges  
& Lever Handle  
w/ Color Coded  
Index

Mounting Surface

Ø 2" Base w/  
3/4-20UN Female  
Inlet

059X  
Swing Nozzle w/  
B-PT  
Stream Regulator Outlet



Inlet Shank w/  
Shank Washer &  
Lock Nut will be  
Shipped Un-Installed.



150A Bag of (1) Nut and (1)  
Tailpiece Furnished for 1/4"  
NPT Connection.



### Note: Rough-In Requirement

Ø 1 1/2" [Ø 38mm] Hole  
(Ø 1 1/4" [Ø 32mm] Minimum)

Product Specifications:

Single Pantry Faucet w/ Ceramic Cartridges, 6" Swing Nozzle,  
Lever Handle, B-PT Stream Regulator Outlet, Loose Shank Inlet  
& Tailpiece

Drawn  
**DHL**

Checked  
**KJG**

Approved  
**JHB**

Scale:

1:4

Date:

10/07/09



**T&S BRASS AND BRONZE WORKS, INC.**

2 Saddleback Cove / P.O. Box 1088  
Travelers Rest, SC 29690



REG. #A2601  
ISO #9001

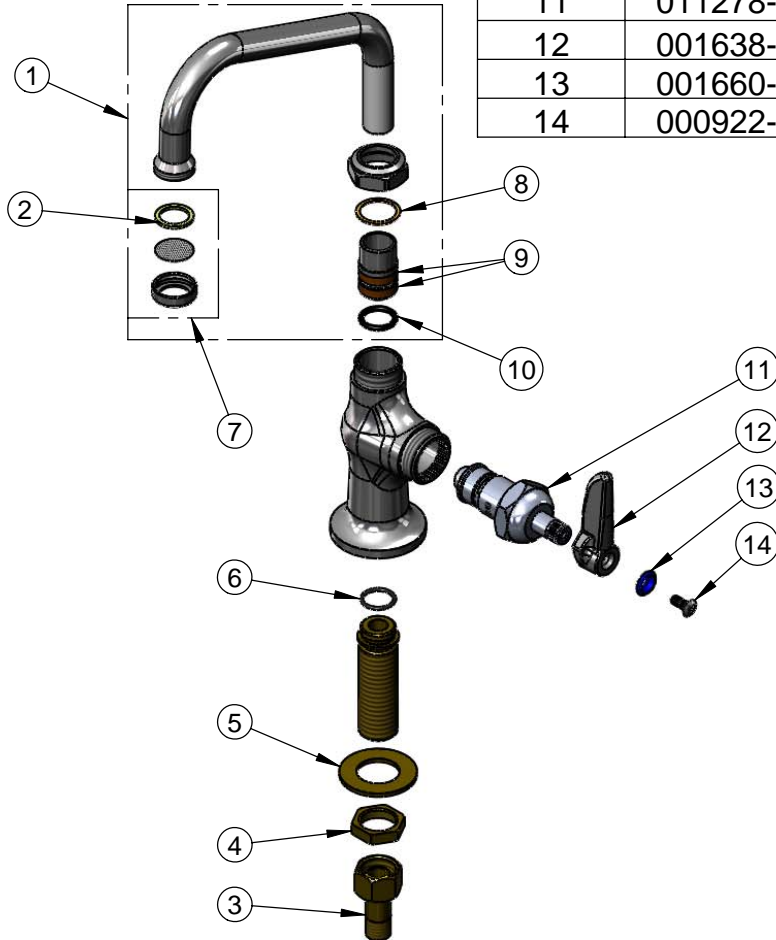
Model No.

**B-0207-CR-LS**

Item No.

Travelers Rest, SC: 800-476-4103 Simi Valley, CA: 800-423-0150 Fax: 864-834-3518 www.tsbrass.com

ITEM NO.	SALES NO.	DESCRIPTION
1	059X	6" Swing Nozzle Assembly
2	001048-45	Nozzle Tip Washer
3	150A	Bag of (1) Nut & (1) Tailpiece
4	002954-45	Shank Lock Nut
5	000999-45	Brass Lock Washer
6	001079-45	O-ring, Size -016
7	B-PT	Stream Regulator Outlet
8	009538-45	Swivel Washer
9	011429-45	Swivel Sleeve (2)
10	001074-45	O-Ring
11	011278-25	Ceramic Cartridge RTC
12	001638-45	Lever Handle
13	001660-45	Blue Index-CW
14	000922-45	Lever Handle Screw



Product Specifications:

Single Pantry Faucet w/ Ceramic Cartridges, 6" Swing Nozzle, Lever Handle, B-PT Stream Regulator Outlet, Loose Shank Inlet & Tailpiece

Drawn <b>DHL</b>	Checked <b>KJG</b>	Approved <b>JHB</b>
Scale: <b>NTS</b>		Date: <b>10/07/09</b>