



T&S BRASS AND BRONZE WORKS, INC.

2 Saddleback Cove / P.O. Box 1088
Travelers Rest, SC 29690



REG. #A2601
ISO #9001

Model No.

B-0650-03

Item No.

Travelers Rest, SC: 800-476-4103 Simi Valley, CA: 800-423-0150 Fax: 864-834-3518 www.tsbrass.com

This Space for Architect/Engineer Approval

Job Name _____ Date _____

Model Specified _____ Quantity _____

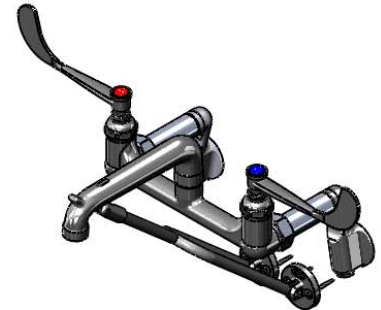
Customer/Wholesaler _____

Contractor _____

Architect/Engineer _____



ADA Compliant



00XX
Adjustable Flange w/
1/2" NPT Female Inlets
& Screwdriver Stops

000610-40
Extension

B-WH6
6" Wrist Action Handle
w/ Color Coded Indexes

Eterna Cartridges w/
Spring Checks

2" [51mm]
Flange

Plain End
Spout

6 1/4"
[159mm]

2 7/16"
[62mm]

12 3/16"
[310mm]

Lower Wall Support
Assembly Furnished
w/ Wall Bracket &
Mounting Screws

Inlets Adjustable
from 3 1/4" [83mm]
to 12 3/4" [324mm]
Below or Above
Centerline
[225mm]

Mounting Surface

Product Specifications:

8" Wall Mount, Service Sink Faucet, Polished Chrome Finish, 6" Wrist Action Handles, Lower Support Rod, 1/2" NPT Extended Adjustable inlets & Garden Hose Outlet

Drawn DHL	Checked KJG	Approved JHB
Scale: NTS		Date: 9/11/2009



T&S BRASS AND BRONZE WORKS, INC.

2 Saddleback Cove / P.O. Box 1088
Travelers Rest, SC 29690



REG. #A2601
ISO #9001

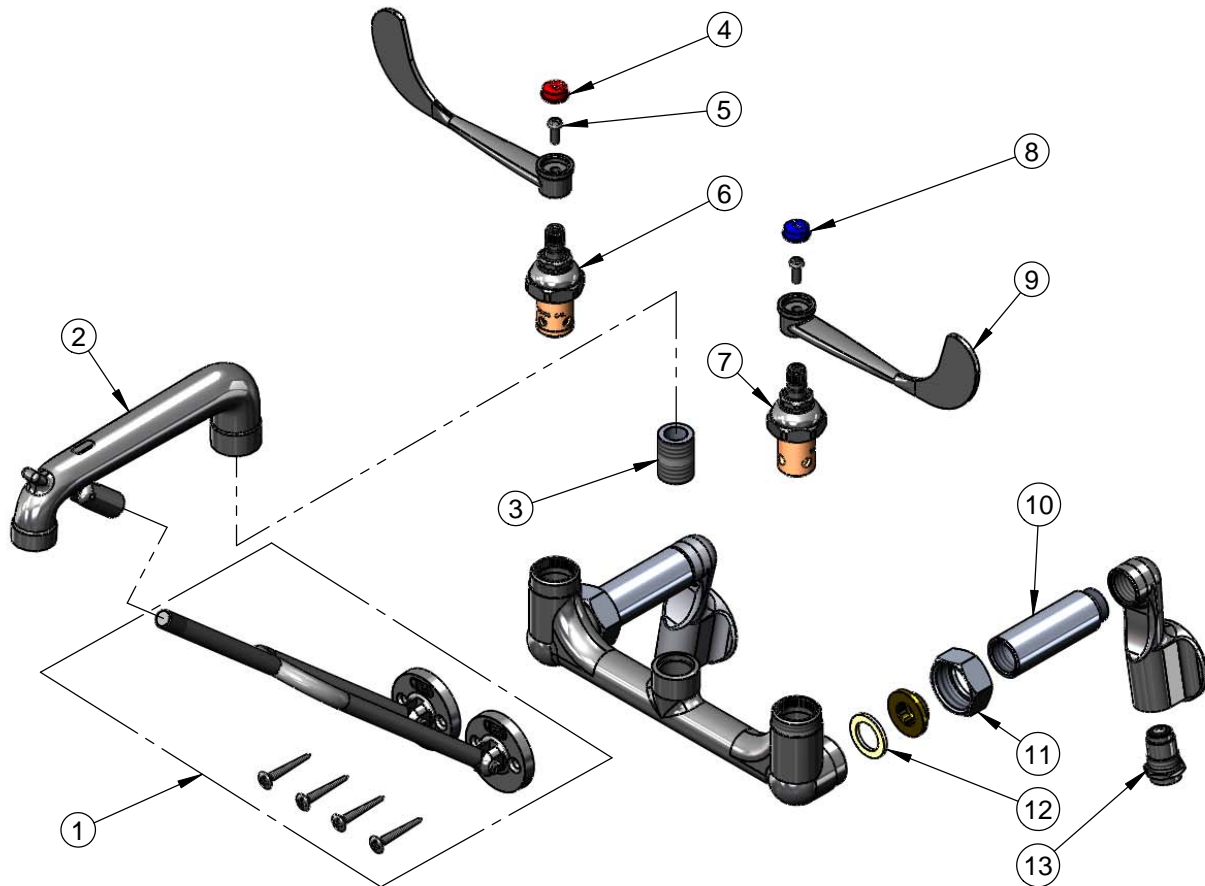
Model No.

B-0650-03

Item No.

Travelers Rest, SC: 800-476-4103 Simi Valley, CA: 800-423-0150 Fax: 864-834-3518 www.tsbrass.com

ITEM NO.	SALES NO.	DESCRIPTION
1	014490-40	Lower Support Rod Assembly w/ Mounting Screws
2	016844-40	Spout, B-0650 Chrome Polished
3	002534-25	Close Nipple, 1/2" x 1 5/32" Lg Rough Chrome
4	001194-45	Red HW Index
5	000925-45	Lab Handle Screw
6	012443-40	Hot Eterna Spindle Assembly w/ Spring Check
7	012442-40	Cold Eterna Spindle Assembly w/ Spring Check
8	001686-45	Blue CW Index
9	B-WH6	6" Wrist Action Handle
10	000610-25	Extension, 2 3/4" Long
11	000721-25	Flange Coupling Nut
12	001019-45	Coupling Nut Washer
13	163A	BST Assembly, 163A
25		



Product Specifications:

8" Wall Mount, Service Sink Faucet, Polished Chrome Finish, 6" Wrist Action Handles, Lower Support Rod, 1/2" NPT Extended Adjustable inlets & Garden Hose Outlet

Drawn DHL	Checked KJG	Approved JHB
Scale: NTS		Date: 9/11/2009