



# T&S BRASS AND BRONZE WORKS, INC.

2 Saddleback Cove / P.O. Box 1088  
Travelers Rest, SC 29690



REG. #A2601  
ISO #9001

Model No.  
**B-0665-POL**

Item No.

Travelers Rest, SC: 800-476-4103 Simi Valley, CA: 800-423-0150 Fax: 864-834-3518 www.tsbrass.com

This Space for Architect/Engineer Approval

Job Name \_\_\_\_\_ Date \_\_\_\_\_

Model Specified \_\_\_\_\_ Quantity \_\_\_\_\_

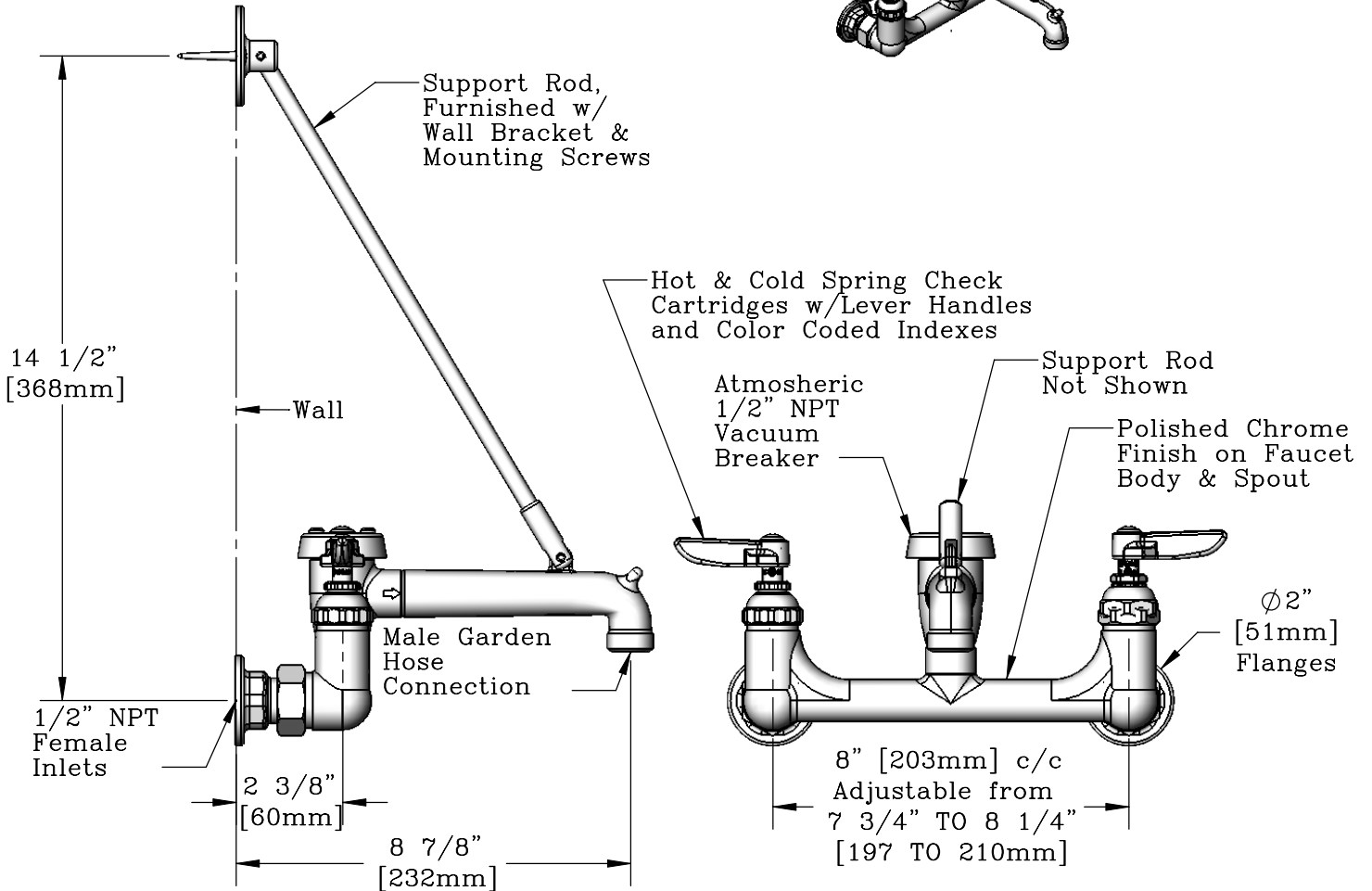
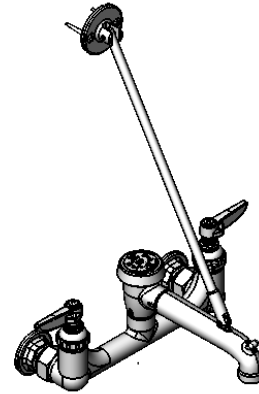
Customer/Wholesaler \_\_\_\_\_

Contractor \_\_\_\_\_

Architect/Engineer \_\_\_\_\_



**ADA Compliant**



Product Specifications:

**Service Sink, Spring Check Cartridges,  
Lever Handles, Polished Chrome**

Drawn  
DHL

Checked  
GEF

Approved  
JHB

Scale:

1:4

Date:

10/28/2009



# T&S BRASS AND BRONZE WORKS, INC.

2 Saddleback Cove / P.O. Box 1088  
Travelers Rest, SC 29690



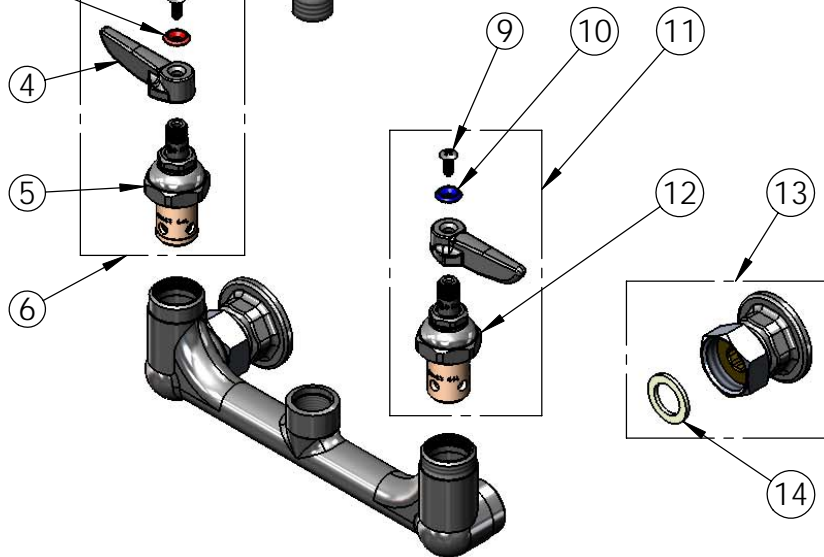
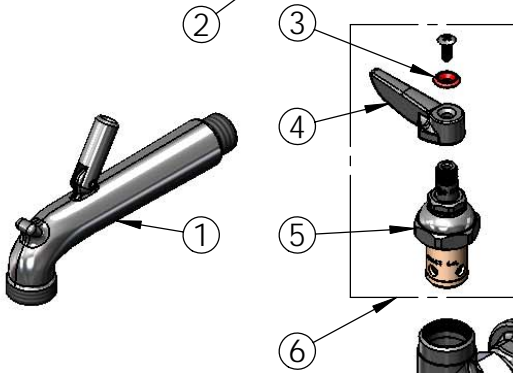
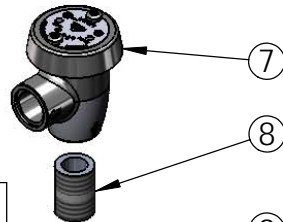
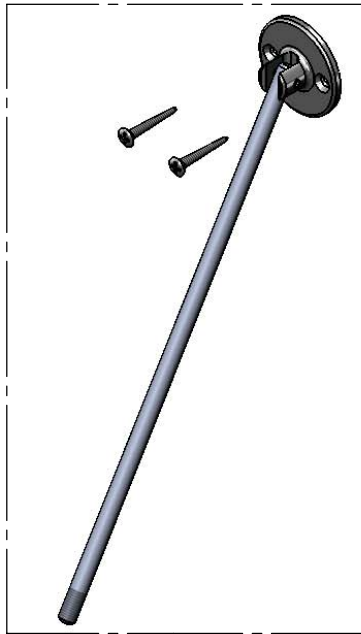
REG. #A2601  
ISO #9001

Model No.  
**B-0665-POL**

Item No.

Travelers Rest, SC: 800-476-4103 Simi Valley, CA: 800-423-0150 Fax: 864-834-3518 www.tsbrass.com

ITEM NO.	SALES NO.	DESCRIPTION
1	009545-40	Spout Asm Polish Chrome w/ Top Support Clevis
2	009546-40	Suprt Rod B-0665 - Polish Chrome
3	001661-45	Red Index-HW
4	001638-45	Lever Handle
5	012443-40	Hot Eterna Spindle Assembly w/ Spring Check
6	002712-40	Hot Eterna Spindle Asm, w/ Spring Check, Handle, Index & Screw
7	B-0969	Vacuum Breaker, 1/2"
8	002534-25	Close Nipple, 1/2" x 1 5/32" Lg Rough Chrome
9	000922-45	Lever Handle Screw
10	001660-45	Blue Index-CW
11	002711-40	Cold Eterna Spindle Asm, w/ Spring Check, Handle, Index & Screw
12	012442-40	Cold Eterna Spindle Assembly w/ Spring Check
13	00AA	1/2" NPT Inlet Flange
14	001019-45	Coupling Nut Washer



Product Specifications:

Service Sink, Spring Check Cartridges,  
Lever Handles, Polished Chrome

Drawn <b>DHL</b>	Checked <b>GEF</b>	Approved <b>JHB</b>
Scale: <b>1:4</b>		Date: <b>10/28/2009</b>