



# T&S BRASS AND BRONZE WORKS, INC.

2 Saddleback Cove / P.O. Box 1088  
Travelers Rest, SC 29690



REG. #A2601  
ISO #9001

Model No.

**B-0711**

Item No.

Travelers Rest, SC: 800-476-4103 Simi Valley, CA: 800-423-0150 Fax: 864-834-3518 www.tsbrass.com

This Space for Architect/Engineer Approval

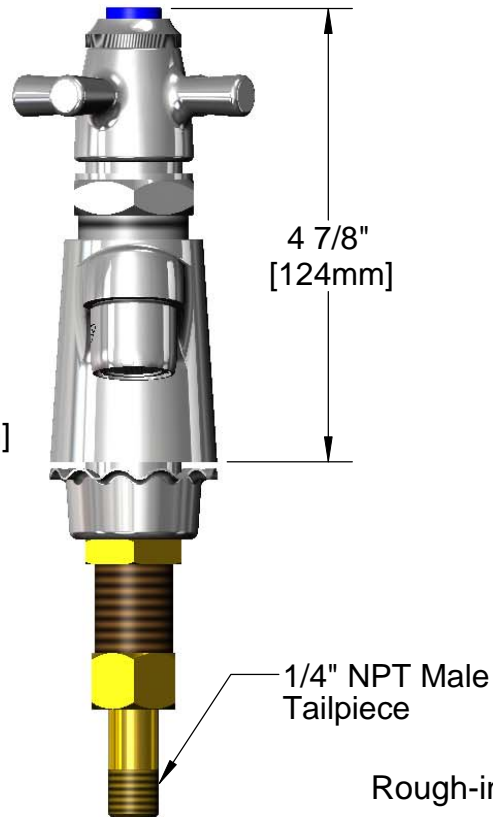
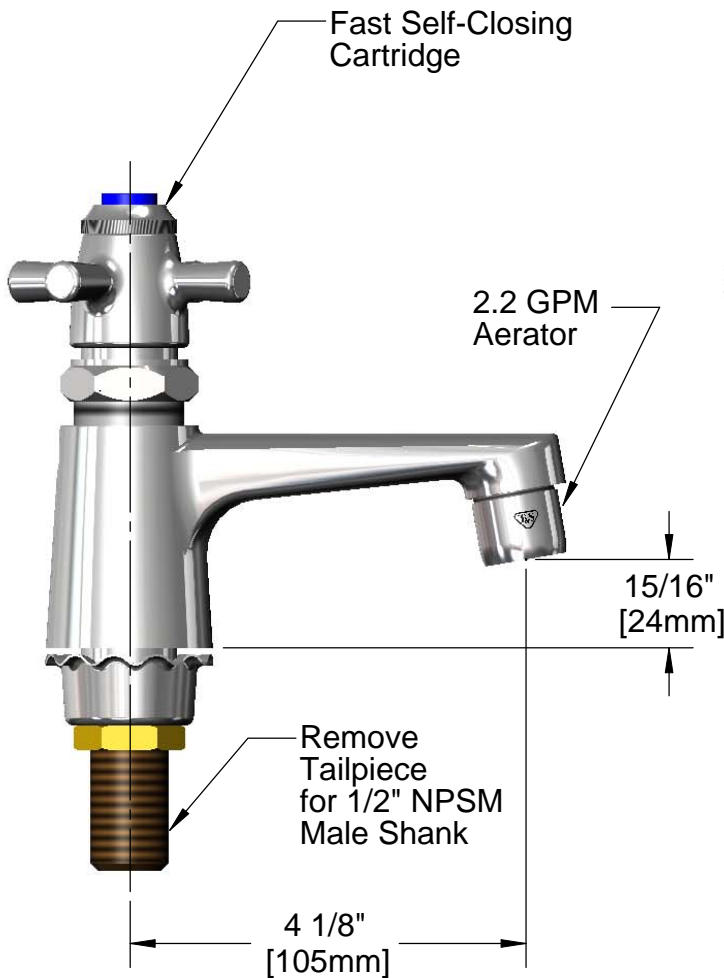
Job Name \_\_\_\_\_ Date \_\_\_\_\_

Model Specified \_\_\_\_\_ Quantity \_\_\_\_\_

Customer/Wholesaler \_\_\_\_\_

Contractor \_\_\_\_\_

Architect/Engineer \_\_\_\_\_



Rough-in:  $\phi$  1-1/8" Hole

Product Specifications:

Single Temperature Basin Faucet w/ 1/2" NPSM Male Shank, Fast Self-Closing Handle, and 2.2 GPM Aerator

Drawn <b>DHL</b>	Checked <b>KJG</b>	Approved <b>JHB</b>
Scale: <b>1:2</b>		Date: <b>07/14/10</b>



**T&S BRASS AND BRONZE WORKS, INC.**

2 Saddleback Cove / P.O. Box 1088  
Travelers Rest, SC 29690



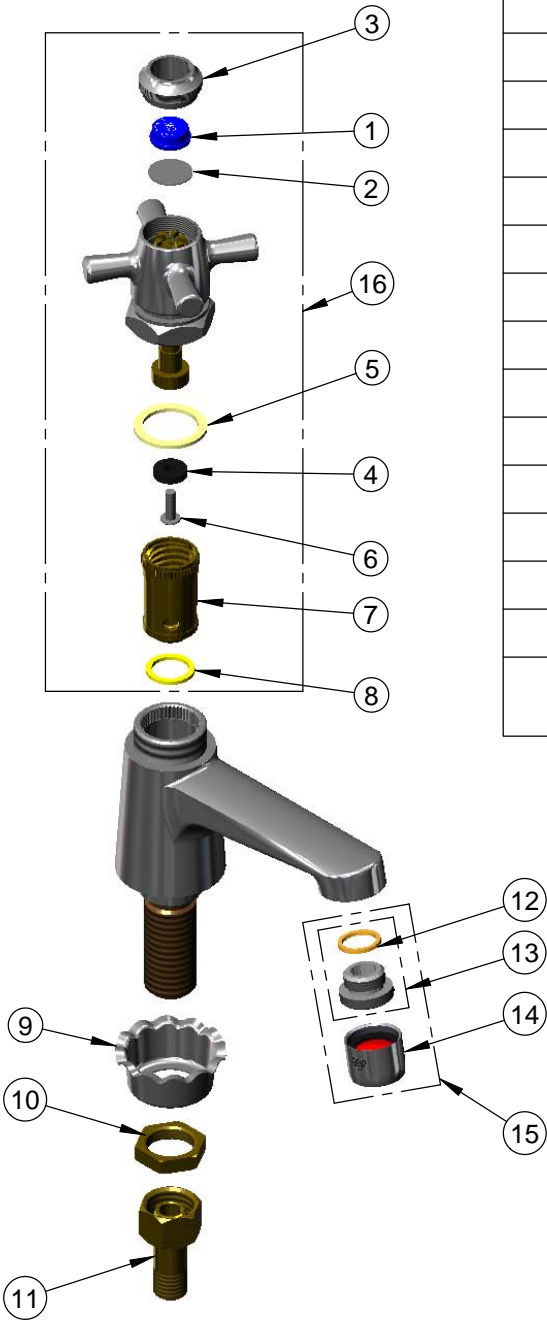
REG. #A2601  
ISO #9001

Model No.

**B-0711**

Item No.

Travelers Rest, SC: 800-476-4103 Simi Valley, CA: 800-423-0150 Fax: 864-834-3518 www.tsbrass.com



ITEM	PART NO.	DESCRIPTION
1	001686-45	Blue CW Index
2	001013-45	Slow Close Handle Disc
3	000674-40	Slow Close Index Ring
4	001092-45	Seat Washer
5	002601-45	Washer
6	000933-45	B-1100 Seat Washer Screw
7	000789-20	Removable Insert, LH Thread
8	001022-45	Washer
9	001000-45	Rosette Washer
10	002954-45	Shank Lock Nut
11	150A	Nut and Tailpiece Assembly
12	001043-45	Washer
13	044A	3/8" to Aerator Adapter
14	B-0199-01	2.2 GPM Aerator, Female
15	B-0199-02	Aerator, 2.2 GPM, 3/8" NPSM
16	007900-40	Slow-Closing Cold Cartridge Assembly

Product Specifications:

Single Temperature Basin Faucet w/ 1/2" NPSM Male Shank, Fast Self-Closing Handle, and 2.2 GPM Aerator

Drawn <b>DHL</b>	Checked <b>KJG</b>	Approved <b>JHB</b>
Scale: <b>1:2</b>		Date: <b>07/14/10</b>