



T&S BRASS AND BRONZE WORKS, INC.

2 Saddleback Cove / P.O. Box 1088
Travelers Rest, SC 29690



REG. #A2601
ISO #9001

Model No.

B-0831-VF05

Item No.

Travelers Rest, SC: 800-476-4103 Simi Valley, CA: 800-423-0150 Fax: 864-834-3518 www.tsbrass.com

This Space for Architect/Engineer Approval

Job Name _____ Date _____

Model Specified _____ Quantity _____

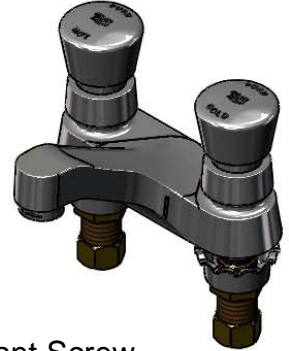
Customer/Wholesaler _____

Contractor _____

Architect/Engineer _____



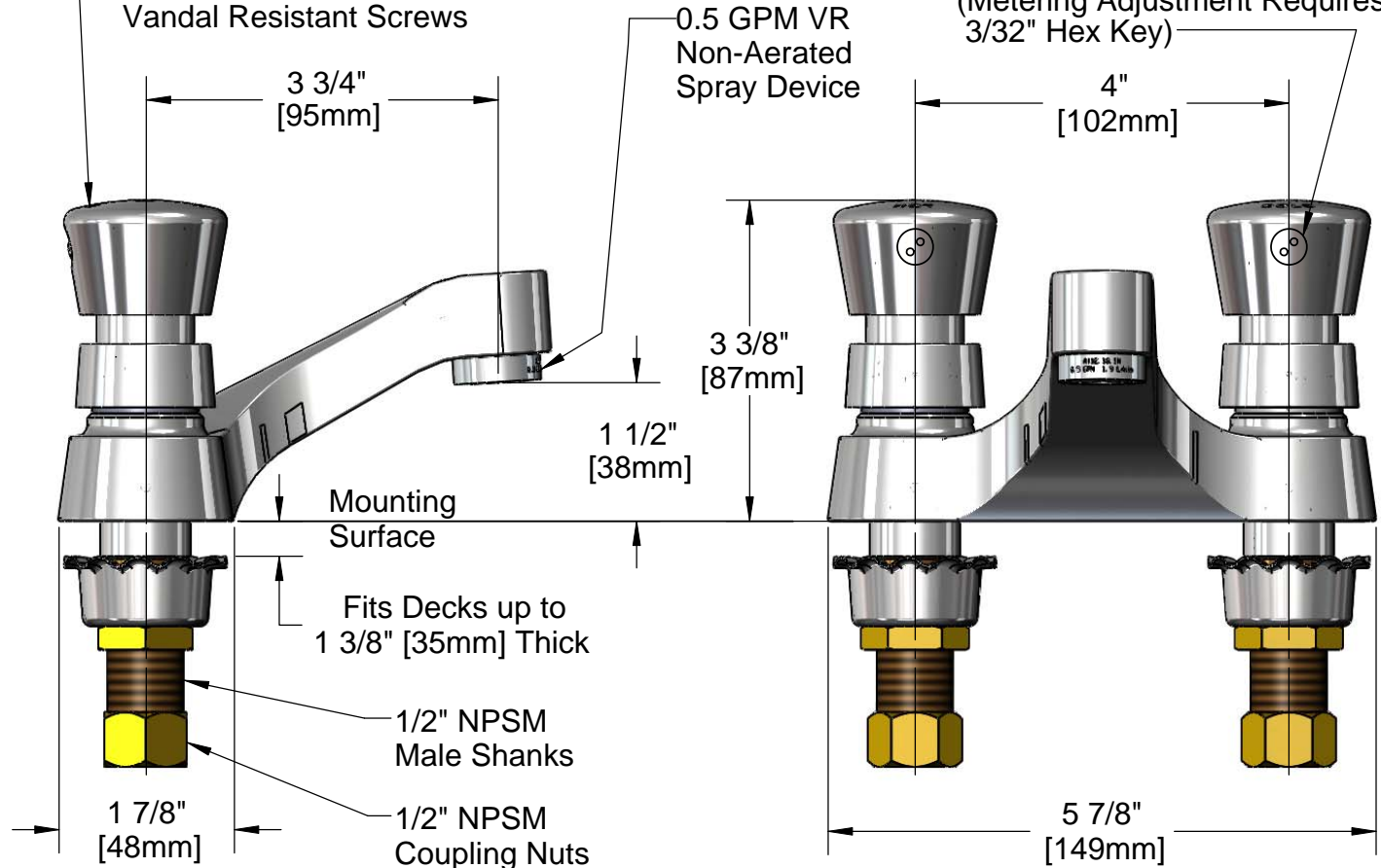
ADA Compliant



238AH (Hot Side)
238AC (Cold Side)
Push Button
Metering Cartridges
w/ Hot & Cold Handles and
Vandal Resistant Screws

Furnished w/
Spanner Bit for
Vandal Resistant
Screw.

Vandal Resistant Screw.
Loosen Screw (Do Not Remove)
and Pull Off Push Button Asm to
Access Metering Adjustment.
(Metering Adjustment Requires
3/32" Hex Key)



Note: Rough-In Requirement
Ø 1 1/8" [Ø 29mm] Holes

Product Specifications:

4" Centerset Metering & Mixing Faucet w/ Push Button Metering Cartridges & 0.5 GPM Non-Aerated Vandal Resistant Spray Device

Drawn DMH	Checked KJG	Approved JHB
Scale: 1:2		Date: 07/09/10



T&S BRASS AND BRONZE WORKS, INC.

2 Saddleback Cove / P.O. Box 1088
Travelers Rest, SC 29690



REG. #A2601
ISO #9001

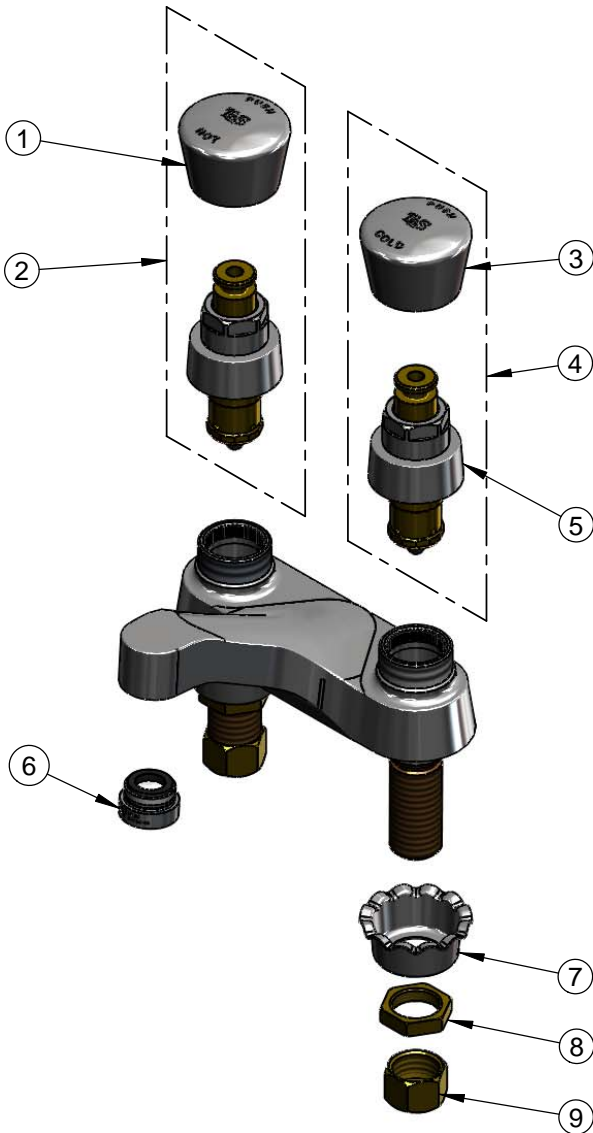
Model No.

B-0831-VF05

Item No.

Travelers Rest, SC: 800-476-4103 Simi Valley, CA: 800-423-0150 Fax: 864-834-3518 www.tsbrass.com

ITEM NO.	SALES NO.	DESCRIPTION
1	014194-40	Hot Cap Assembly
2	238AH	Push Button Metering Cartridge w/ Hot Push Button Asm and Spanner Bit
3	014195-40	Cold Cap Assembly
4	238AC	Push Button Metering Cartridge w/ Cold Push Button Asm and Spanner Bit
5	238A	Push Button Metering Ctg.
6	B-0199-08-N05	0.5 GPM VR Spray Device, 13/16-27 Male
7	001000-45	Rosette Washer
8	002954-45	Shank Lock Nut
9	000958-20	Coupling Nut



014734-45
Spanner Bit for
Vandal Resistant Screw



015425-45
Vandal Resistant Key
(Included w/ Spray Device)

Product Specifications:

4" Centerset Metering & Mixing Faucet w/ Push Button Metering Cartridges & 0.5 GPM Non-Aerated Vandal Resistant Spray Device

Drawn DMH	Checked KJG	Approved JHB
Scale: NTS		Date: 07/09/10