

T&S BRASS AND BRONZE WORKS, INC.
 2 SADDLEBACK COVE / P.O. BOX 1088 / TRAVELERS REST, SC 29690
 PHONE 800-476-4103 - FAX 864- 834-3518



Model No.

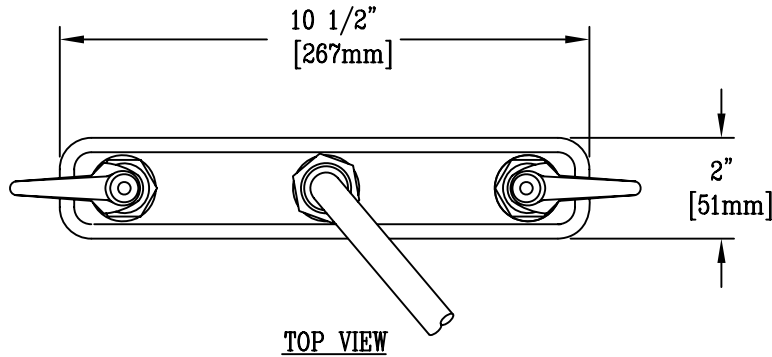
B-1123-XS

**RELIABILITY
BUILT IN**

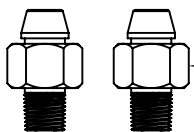
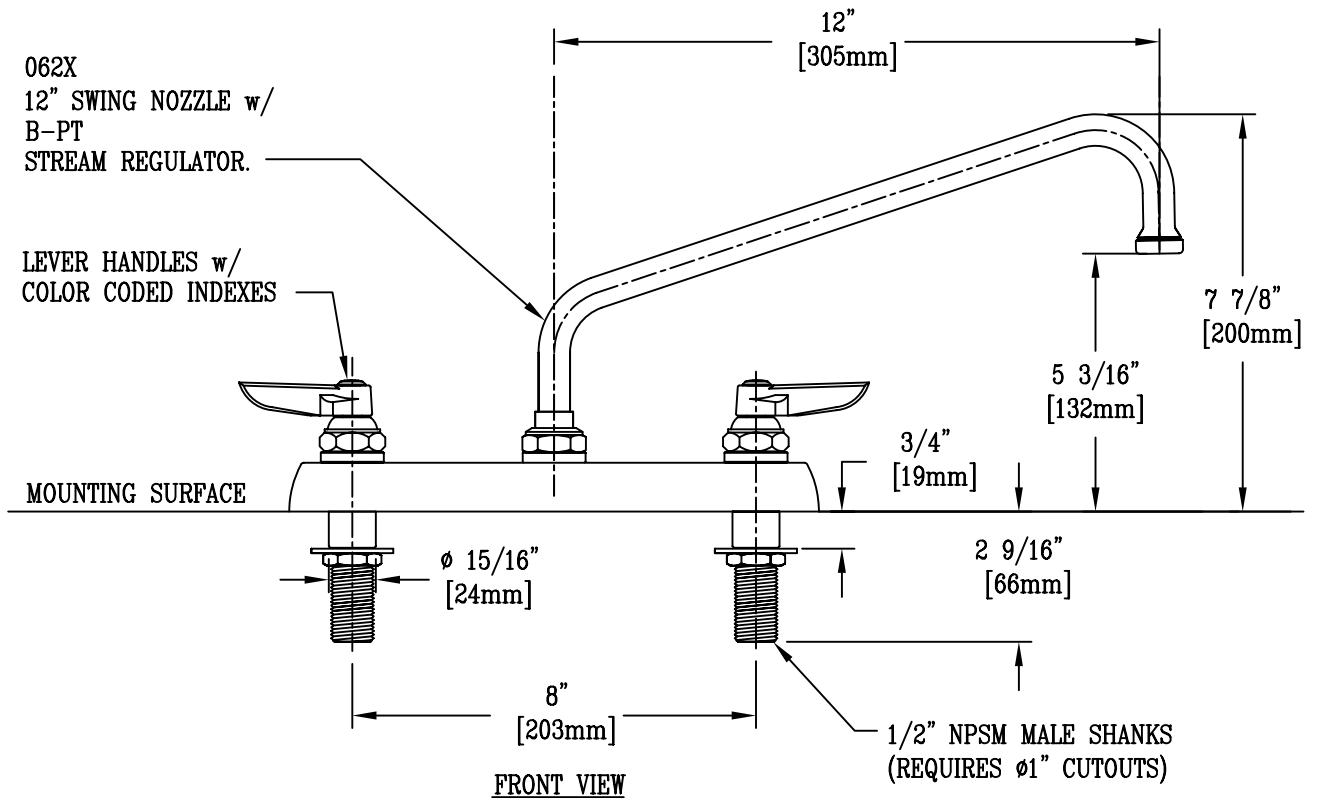
Job Name:

Architect/Engineer Approval:

Notes:



ADA Compliant



150A
Tailpiece and Nut
Furnished for 1/4" NPT
Connection

Product Description:
 WORKBOARD FAUCET WITH 1/2" NPSM MALE EXTENDED
 SHANKS, 8" INLET CENTERS, 062X 12" SWING NOZZLE,
 B-PT STREAM REGULATOR & LEVER HANDLES

Drawn: KJG	Checked JRM	Scale: 1:4
Approved JHB		Date: 12/21/09