

**T&S BRASS AND BRONZE WORKS, INC.**  
 2 SADDLEBACK COVE / P.O. BOX 1088 / TRAVELERS REST, SC 29690  
 PHONE 800-476-4103 - FAX 864- 834-3518



Model No.

B-1146-XS

**RELIABILITY  
BUILT IN**

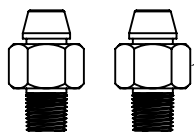
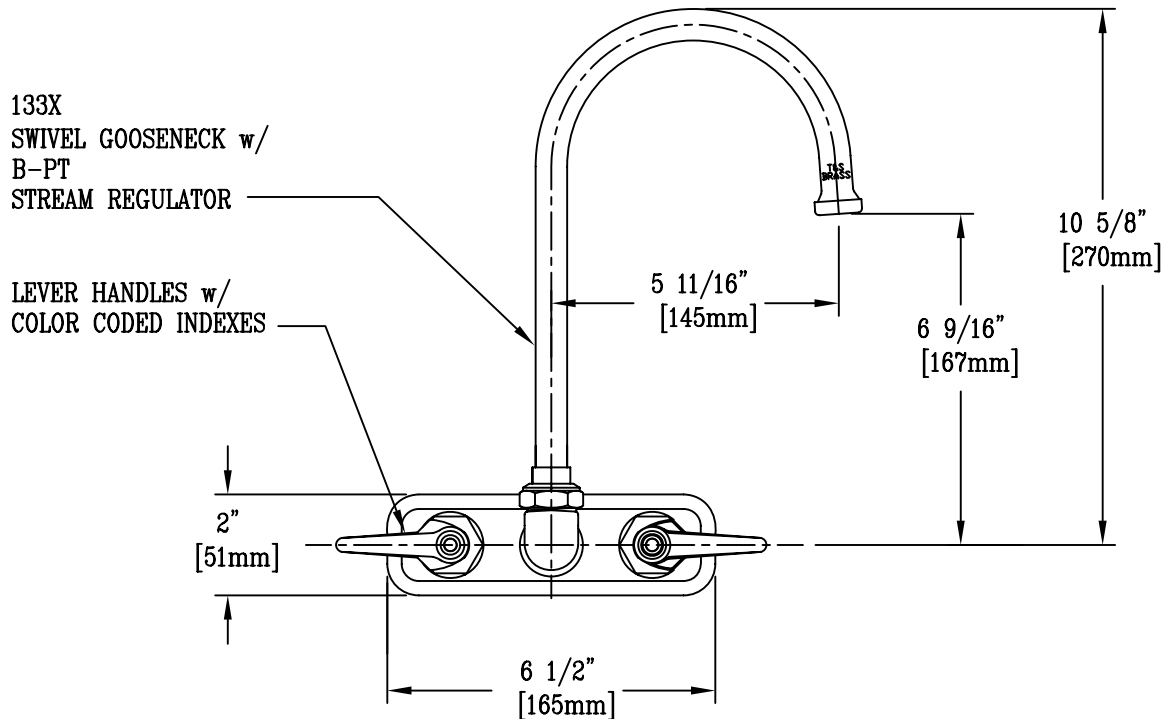
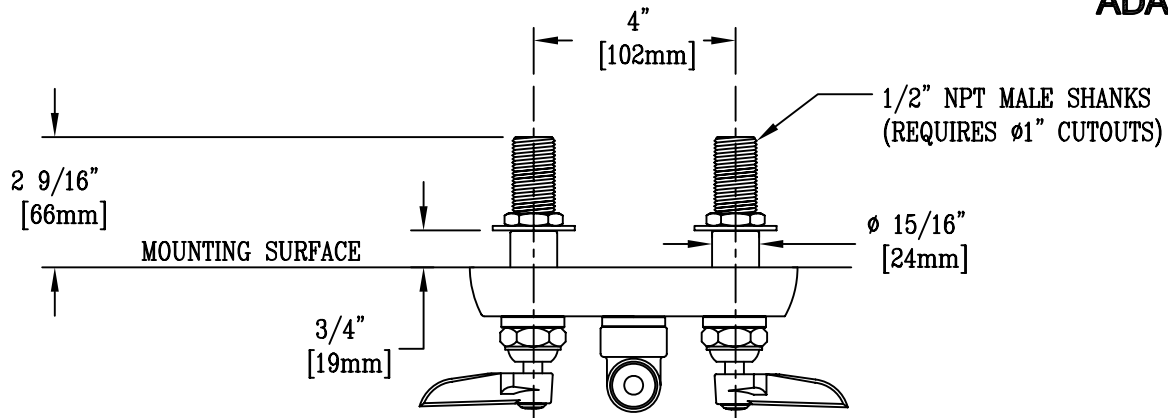
Job Name:

Architect/Engineer Approval:

Notes:



**ADA Compliant**



150A  
Tailpiece and Nut  
Furnished for 1/4" NPT  
Connection

Product Description:  
 WALL MOUNT WORKBOARD FAUCET WITH 1/2" NPSM MALE  
 EXTENDED SHANKS, 4" INLET CENTERS, 133X SWIVEL  
 GOOSENECK & LEVER HANDLES

|                 |                |                   |
|-----------------|----------------|-------------------|
| Drawn:<br>KJG   | Checked<br>JRM | Scale:<br>1:4     |
| Approved<br>JHB |                | Date:<br>12/21/09 |