



T&S BRASS AND BRONZE WORKS, INC.

2 Saddleback Cove / P.O. Box 1088
Travelers Rest, SC 29690



REG. #A2601
ISO #9001

Model No.

B-1551

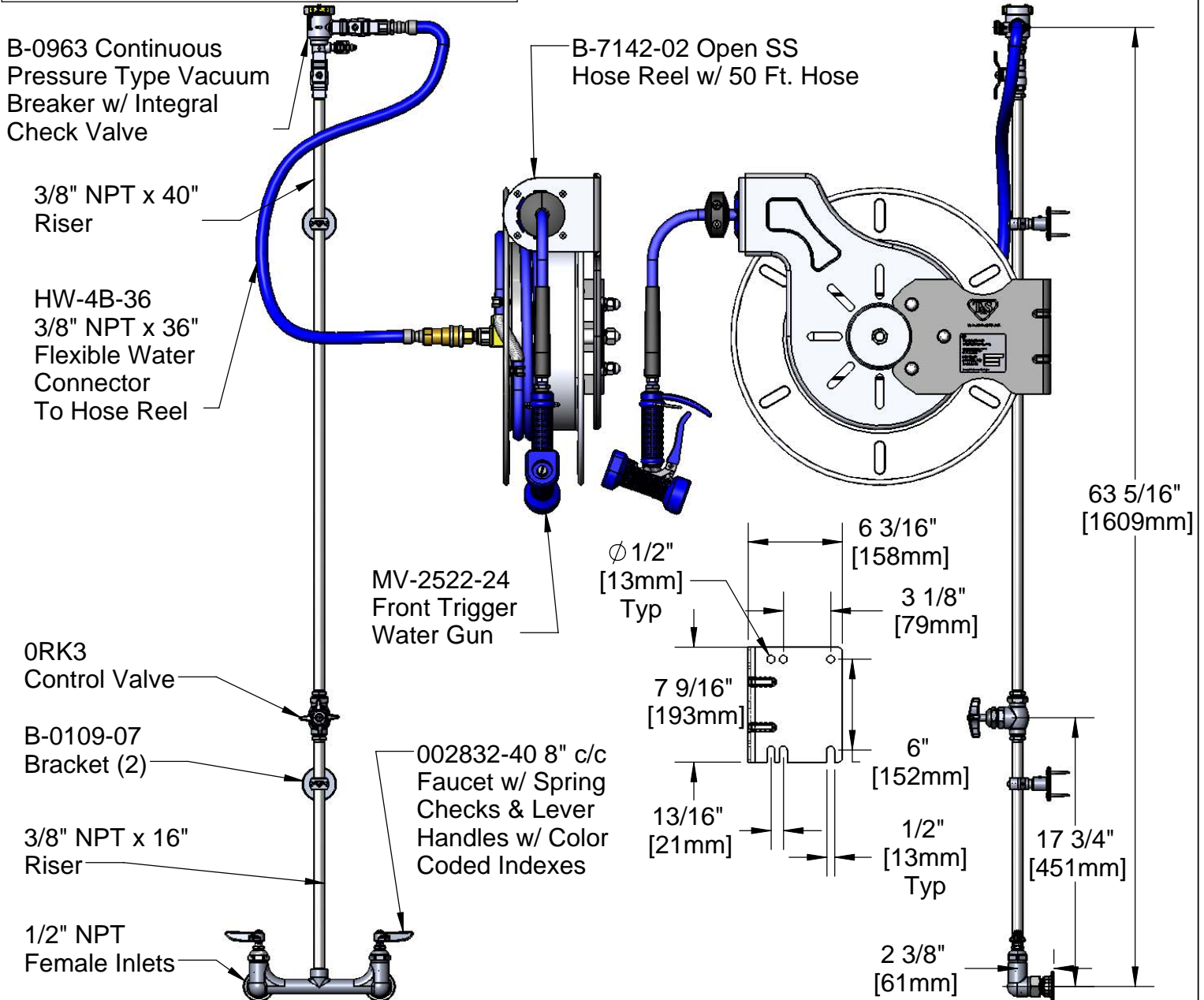
Item No.

Travelers Rest, SC: 800-476-4103 Simi Valley, CA: 800-423-0150 Fax: 864-834-3518 www.tsbrass.com

This Space for Architect/Engineer Approval

Job Name _____ Date _____
 Model Specified _____ Quantity _____
 Customer/Wholesaler _____
 Contractor _____
 Architect/Engineer _____

EPAct2005 Non-Compliant



Product Specifications:
Open SS Hose Reel w/ 50 Ft Hose, Blue Front Trigger Water Gun, Vacuum Breaker, 3/8" NPT Flex Water Connector Asm, 8" c/c Wall Mounted Faucet, & Control Valve In Riser

Drawn JRM	Checked ARH	Approved JHB
Scale: NTS		Date: 06/09/09



T&S BRASS AND BRONZE WORKS, INC.

2 Saddleback Cove / P.O. Box 1088
Travelers Rest, SC 29690



REG. #A2601
ISO #9001

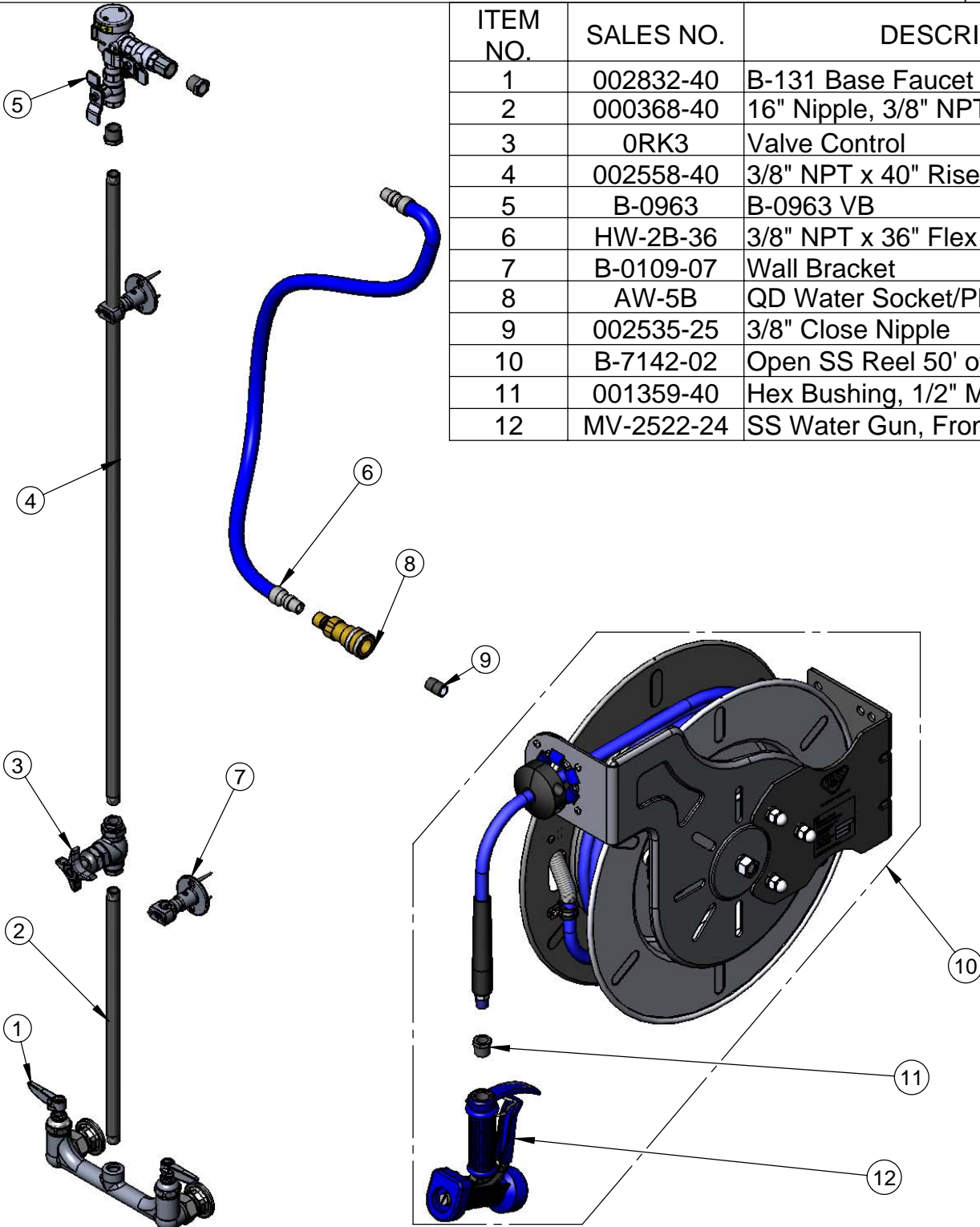
Model No.

B-1551

Item No.

Travelers Rest, SC: 800-476-4103 Simi Valley, CA: 800-423-0150 Fax: 864-834-3518 www.tsbrass.com

ITEM NO.	SALES NO.	DESCRIPTION
1	002832-40	B-131 Base Faucet
2	000368-40	16" Nipple, 3/8" NPT
3	0RK3	Valve Control
4	002558-40	3/8" NPT x 40" Riser
5	B-0963	B-0963 VB
6	HW-2B-36	3/8" NPT x 36" Flex Water Hose
7	B-0109-07	Wall Bracket
8	AW-5B	QD Water Socket/Plug 3/8" Brass
9	002535-25	3/8" Close Nipple
10	B-7142-02	Open SS Reel 50' of 3/8" Hose
11	001359-40	Hex Bushing, 1/2" Male x 3/8" Female
12	MV-2522-24	SS Water Gun, Front Trigger



Product Specifications:

Open SS Hose Reel w/ 50 Ft Hose, Blue Front Trigger Water Gun, Vacuum Breaker, 3/8" NPT Flex Water Connector Asm, 8" c/c Wall Mounted Faucet, & Control Valve In Riser

Drawn JRM	Checked ARH	Approved JHB
Scale: 1:8		Date: 06/09/09