



T&S BRASS AND BRONZE WORKS, INC.

2 Saddleback Cove / P.O. Box 1088
Travelers Rest, SC 29690



REG. #A2601
ISO #9001

Model No.

B-2866-05FC

Item No.

Travelers Rest, SC: 800-476-4103 Simi Valley, CA: 800-423-0150 Fax: 864-834-3518 www.tsbrass.com

This Space for Architect/Engineer Approval

Job Name _____ Date _____

Model Specified _____ Quantity _____

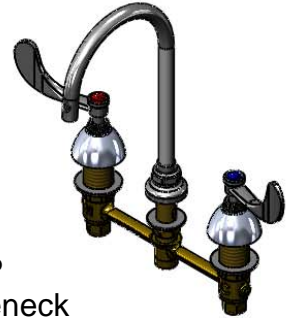
Customer/Wholesaler _____

Contractor _____

Architect/Engineer _____



ADA Compliant



133XP
Gooseneck
w/ Plain End Spout
(Optional Swivel-to-Rigid
Washer Included)

B-WH4
4" Wrist Action Handles
w/ Color Coded Indexes

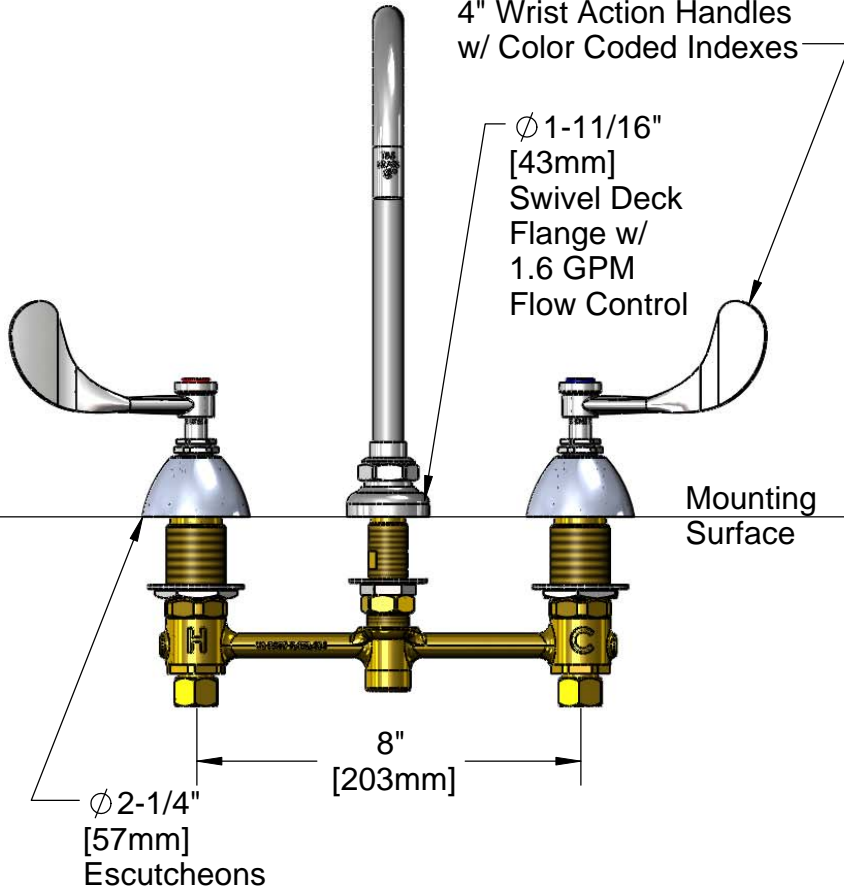
Ø 1-11/16"
[43mm]
Swivel Deck
Flange w/
1.6 GPM
Flow Control



Mounting
Surface

Fits Sinks
Up To
1 1/4" Thick
[32mm]

1/2" NPSM
Coupling Nuts



Note: Rough-In Required:

Ø 1" [25mm] for Center Shank

Ø 1-1/2" [38mm] for Hot/Cold Side [1-1/4" [32mm] Minimum]

Product Specifications:

EasyInstall Faucet w/ 1.6 GPM Flow Control,
4" Wrist Action Handles, Eterna (Teflon) Cartridges,
8" Inlet Centers & Swivel Gooseneck w/ Plain End Spout

Drawn
JRM

Checked
DMH

Approved
JHB

Scale:

NTS

Date:

07/16/10



T&S BRASS AND BRONZE WORKS, INC.

2 Saddleback Cove / P.O. Box 1088
Travelers Rest, SC 29690



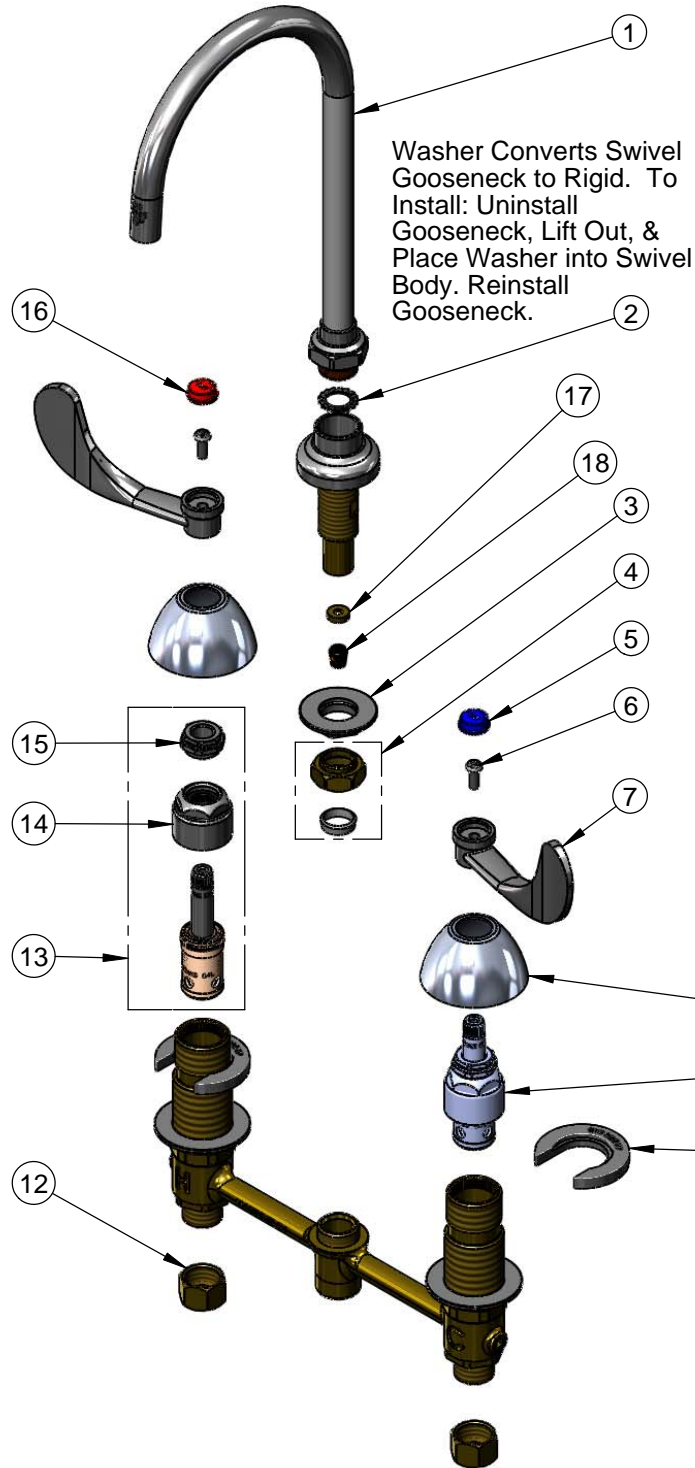
REG. #A2601
ISO #9001

Model No.

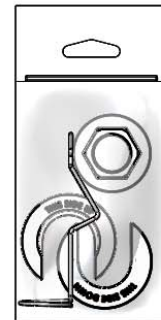
B-2866-05FC

Item No.

Travelers Rest, SC: 800-476-4103 Simi Valley, CA: 800-423-0150 Fax: 864-834-3518 www.tsbrass.com



ITEM NO.	SALES NO.	DESCRIPTION
1	133XP	Plain End Swivel Gooseneck
2	014200-45	Star Washer, Anti-Rotation
3	016742-45	Center Flange Nut
4	016745-45	Compression Nut & Fitting
5	001686-45	Blue CW Index
6	000925-45	Lab Handle Screw
7	B-WH4	4" Wrist Action Handle
8	001257-40	Bell Escutcheon
9	016752-40	EZ-Install LTC Eterna (Teflon)
10	016749-45	Sidebody C-Washer
11	016777-45	CWS Hanger
12	000958-20	Coupling Nut
13	016753-40	EZ-Install RTC Eterna (Teflon)
14	016743-25	CWS Bonnet Assembly
15	009002-25	Packing Nut Assembly
16	001194-45	Red HW Index
17	009069-45	Flow Control Holder
18	016232-45	Flow Tower, 1.6 GPM



017245-40
Installation Repair Kit
Includes #3, (2)#10, & #11

Product Specifications:

EasyInstall Faucet w/ 1.6 GPM Flow Control,
4" Wrist Action Handles, Eterna (Teflon) Cartridges,
8" Inlet Centers & Swivel Gooseneck w/ Plain End Spout

Drawn JRM	Checked DMH	Approved JHB
Scale: NTS		Date: 07/16/10