



T&S BRASS AND BRONZE WORKS, INC.

2 Saddleback Cove / P.O. Box 1088
Travelers Rest, SC 29690



REG. #A2601
ISO #9001

Model No.

B-2991-P

Item No.

Travelers Rest, SC: 800-476-4103 Simi Valley, CA: 800-423-0150 Fax: 864-834-3518 www.tsbrass.com

This Space for Architect/Engineer Approval

Job Name _____ Date _____

Model Specified _____ Quantity _____

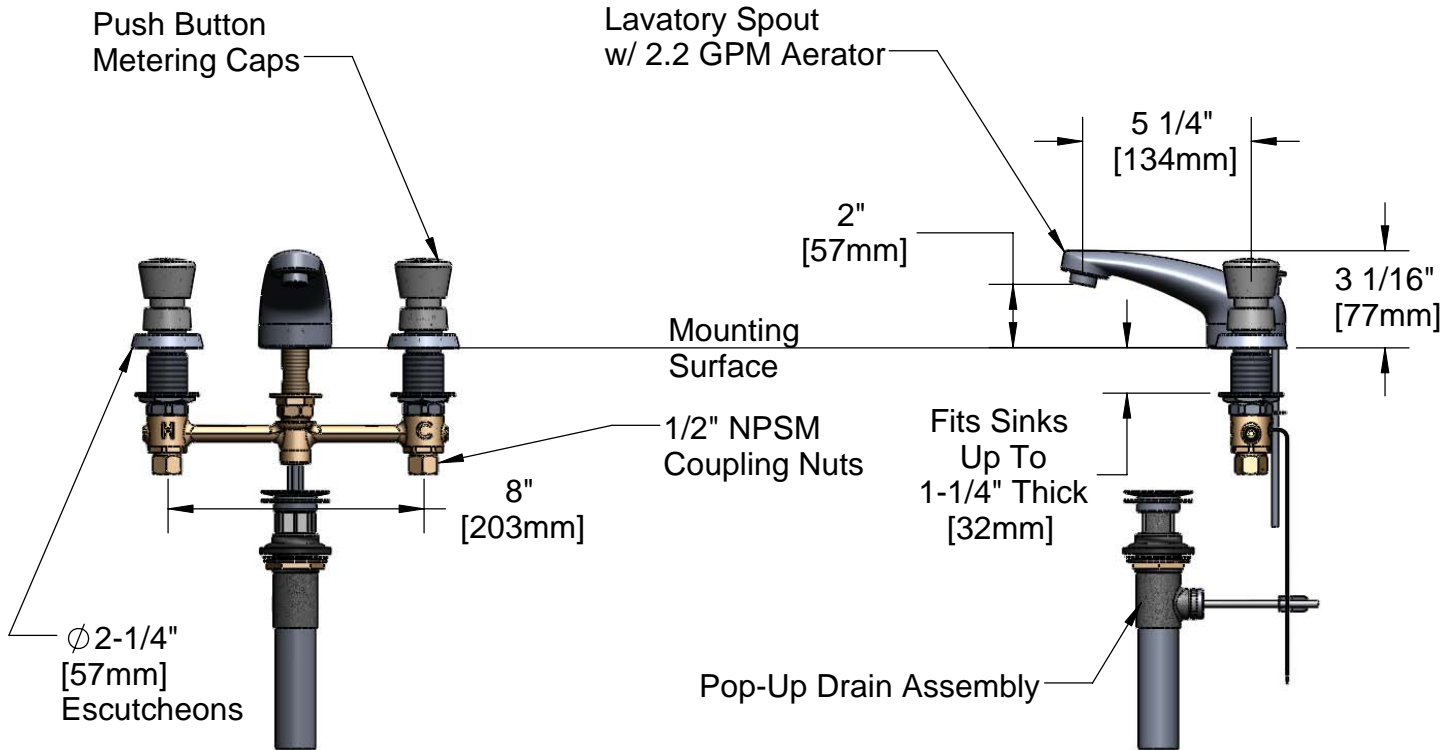
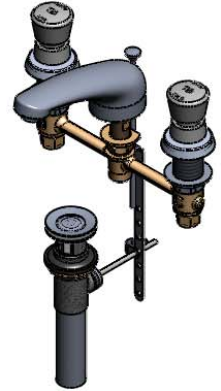
Customer/Wholesaler _____

Contractor _____

Architect/Engineer _____



ADA Compliant



Note: Rough-In Required:

Ø 1" [25mm] for Center Shank

Ø 1-1/2" [38mm] for Hot/Cold Side [1-1/4" [32mm] Minimum]

Product Specifications:

**EasyInstall Faucet w/ Push Button Handles,
Metering Cartridges, 8" Inlet Centers, Pop-Up Drain
Lavatory Spout w/ 2.2 GPM Aerator**

Drawn
JRM

Checked
GEF

Approved
JHB

Scale:

NTS

Date:

12/08/08



T&S BRASS AND BRONZE WORKS, INC.

2 Saddleback Cove / P.O. Box 1088
Travelers Rest, SC 29690



REG. #A2601
ISO #9001

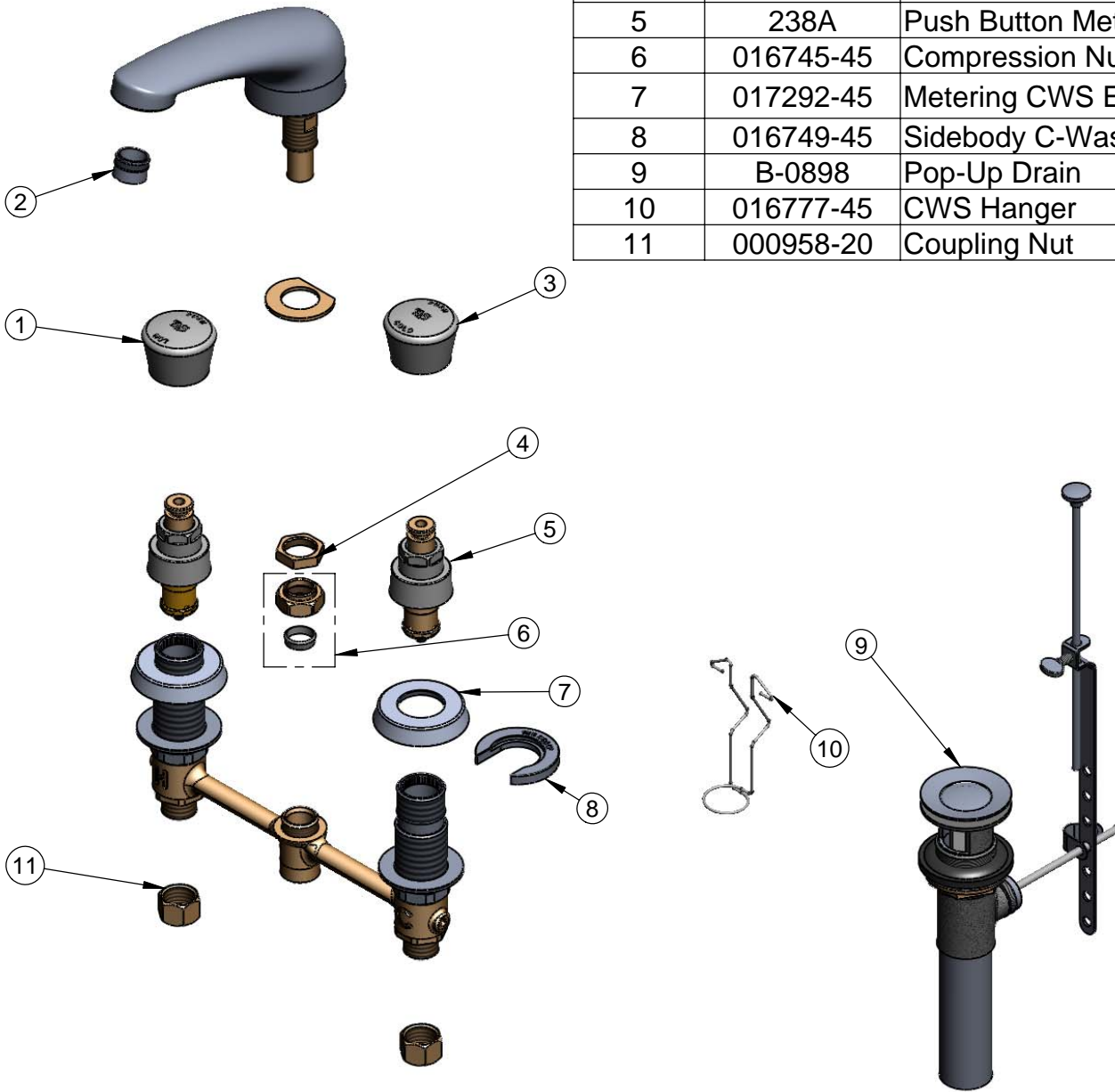
Model No.

B-2991-P

Item No.

Travelers Rest, SC: 800-476-4103 Simi Valley, CA: 800-423-0150 Fax: 864-834-3518 www.tsbrass.com

| ITEM NO. | SALES NO. | DESCRIPTION |
|----------|-----------|--------------------------------|
| 1 | 014194-40 | Hot Cap Assembly |
| 2 | B-0199-03 | 2.2 GPM Aerator |
| 3 | 014195-40 | Cold Cap Assembly |
| 4 | 002954-45 | Shank Lock Nut |
| 5 | 238A | Push Button Metering Cartridge |
| 6 | 016745-45 | Compression Nut & Fitting |
| 7 | 017292-45 | Metering CWS Escutcheon |
| 8 | 016749-45 | Sidebody C-Washer |
| 9 | B-0898 | Pop-Up Drain |
| 10 | 016777-45 | CWS Hanger |
| 11 | 000958-20 | Coupling Nut |



Product Specifications:

EasyInstall Faucet w/ Push Button Handles,
Metering Cartridges, 8" Inlet Centers, Pop-Up Drain
Lavatory Spout w/ 2.2 GPM Aerator

| | | |
|----------------------|-----------------------|--------------------------|
| Drawn JRM | Checked GEF | Approved JHB |
| Scale: NTS | | Date: 12/08/08 |