



T&S BRASS AND BRONZE WORKS, INC.  
 2 SADDLEBACK COVE / P.O. BOX 1088 / TRAVELERS REST, SC 29690  
 PHONE 800-476-4103 FAX 864-834-3518

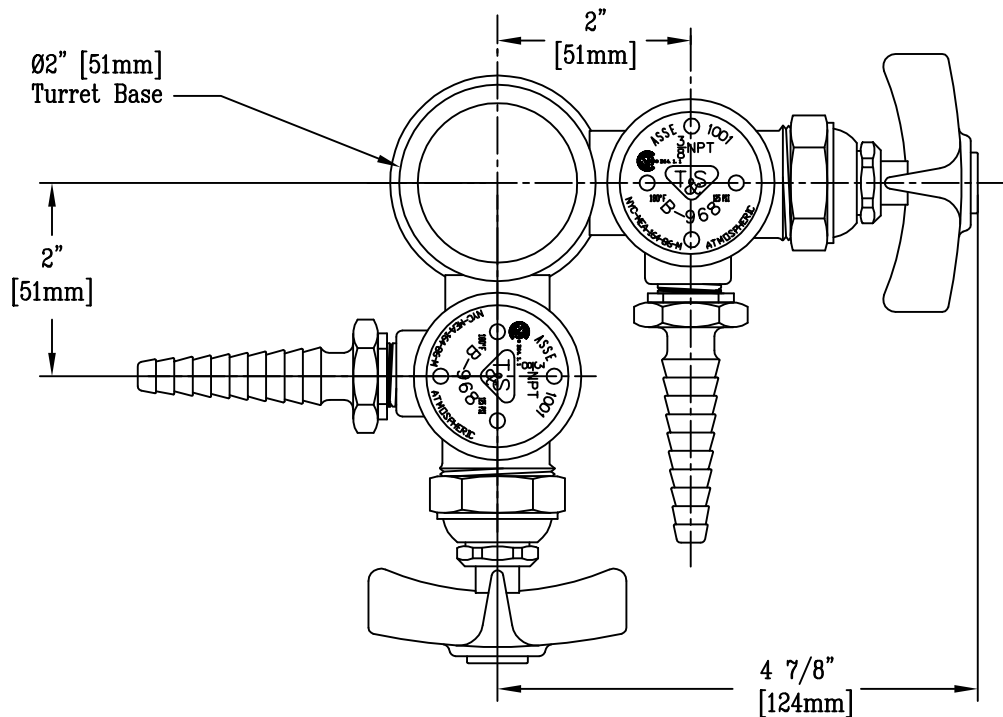
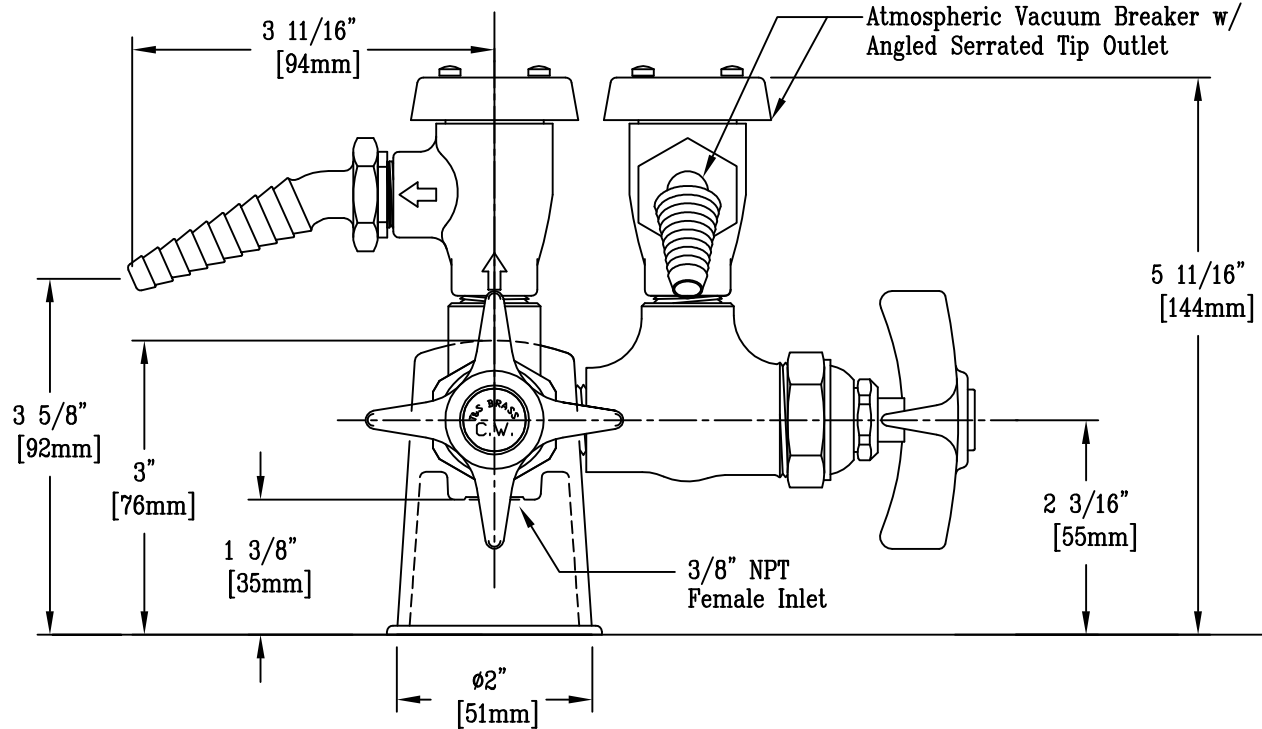


Model No.  
 BL-4422-0  
 Item No.:

Job Name:

Architect/Engineer Approval:

Notes:



Product Description:

Turret Base w/ (2) Water Outlets,  
 Vacuum Breaker & Angled Serrated Tips

Drawn:

ARH

Approved

JHB

Checked

JRM

Scale:

1 : 2

Date:

01/10/07