



T&S BRASS AND BRONZE WORKS, INC.

2 Saddleback Cove / P.O. Box 1088
Travelers Rest, SC 29690



REG. #A2601
ISO #9001

Model No.

CA-0113

Item No.

Travelers Rest, SC: 800-476-4103 Simi Valley, CA: 800-423-0150 Fax: 864-834-3518 www.tsbrass.com

This Space for Architect/Engineer Approval

Job Name _____ Date _____

Model Specified _____ Quantity _____

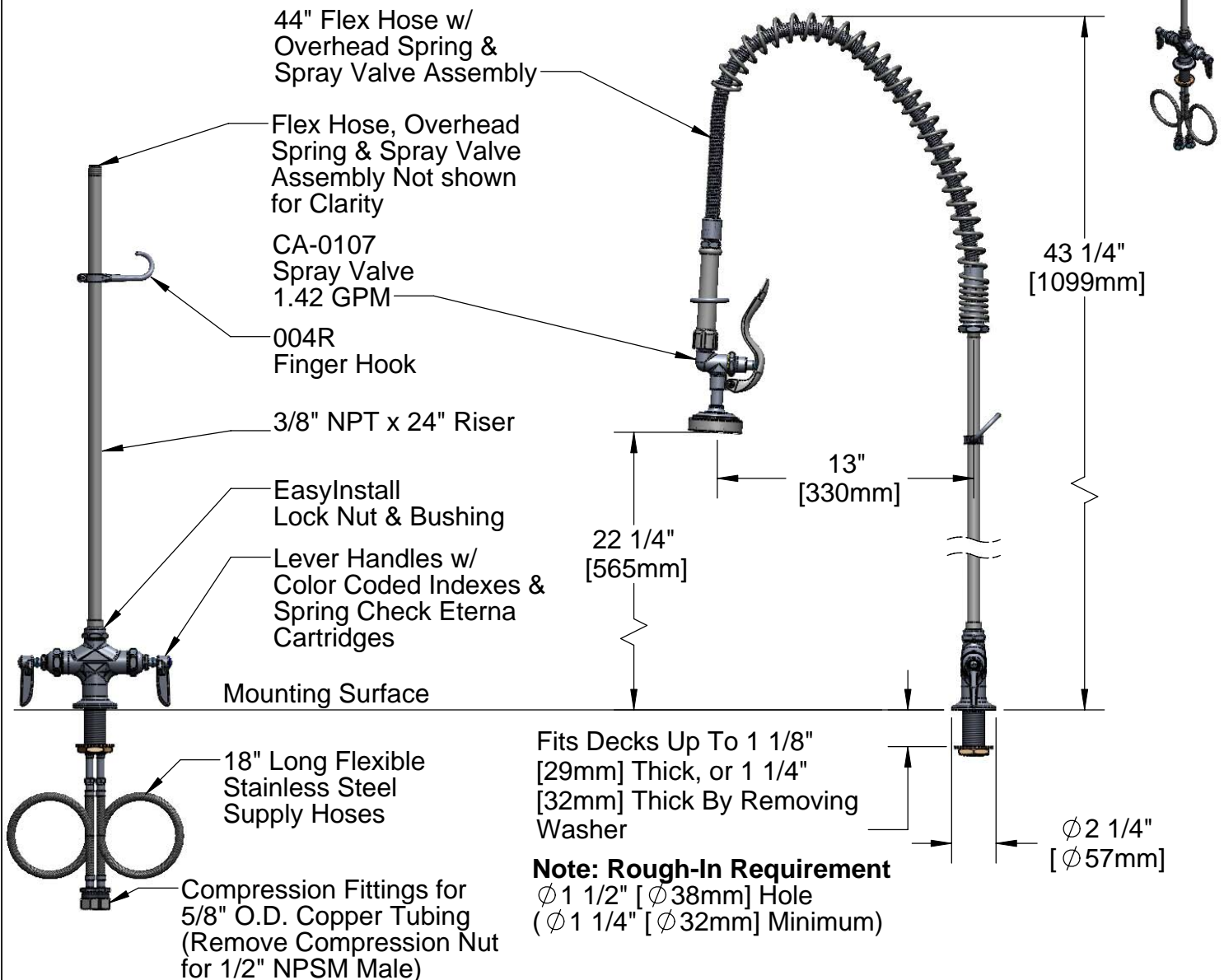
Customer/Wholesaler _____

Contractor _____

Architect/Engineer _____



EPAct 2005 Compliant



Product Specifications:

EasyInstall Pre-Rinse Unit:
Single Deck Mount Base Mixing Faucet, Flexible Supply Hoses,
24" Riser, Overhead Spring, 44" Flex Hose, CA-0107 Spray Valve

Drawn GEF	Checked ARH	Approved JHB
Scale: 1:8		Date: 03/23/09



T&S BRASS AND BRONZE WORKS, INC.

2 Saddleback Cove / P.O. Box 1088
Travelers Rest, SC 29690



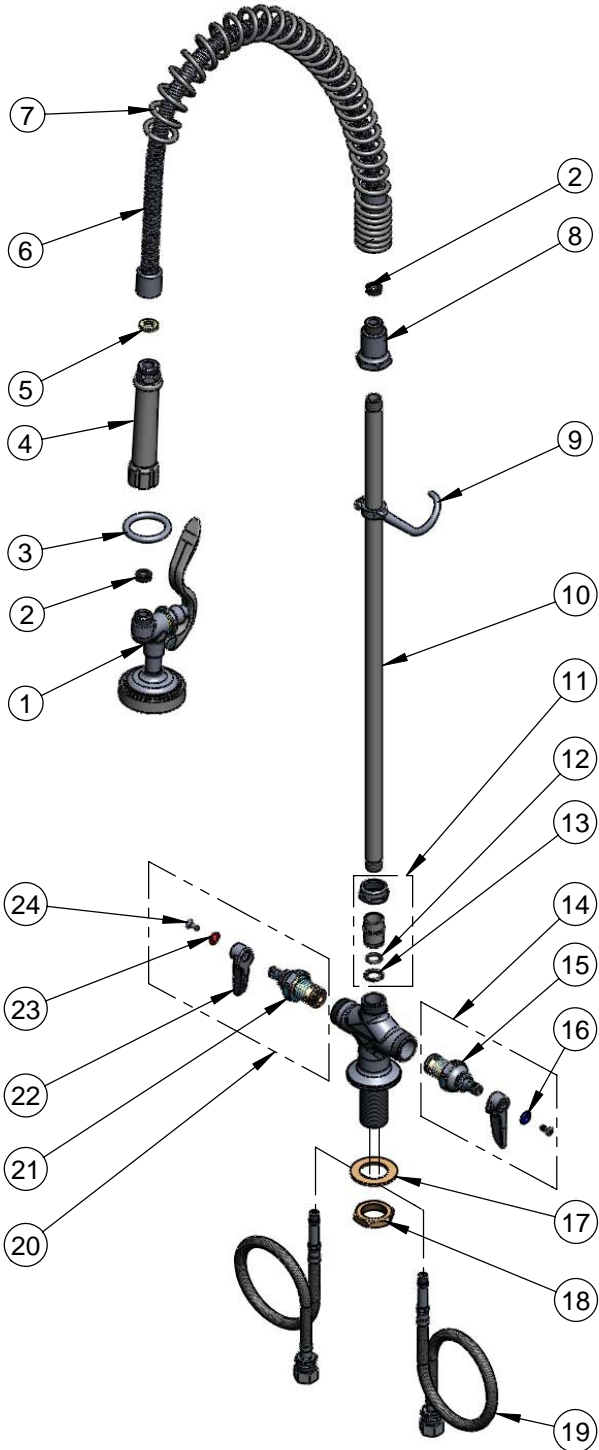
REG. #A2601
ISO #9001

Model No.

CA-0113

Item No.

Travelers Rest, SC: 800-476-4103 Simi Valley, CA: 800-423-0150 Fax: 864-834-3518 www.tsbrass.com



ITEM NO.	SALES NO.	DESCRIPTION
1	CA-0107	Spray Valve Asm
2	010476-45	#27 Washer
3	000907-45	Spray Valve Hold Down Ring
4	002987-40CA	Grip Handle Assembly
5	001014-45	Washer, B-0100 Hose Barrel
6	CA-0044-H2A	44" Flex Hose Assembly, Less Handle
7	000888-45	EasyInstall Overhead Spring
8	000821-25CA	Spring Body
9	004R	Finger Hook Assembly
10	000372-40	3/8" NPT x 24" Long Riser
11	EZ-K-CA	EasyInstall Kit: Bushing, O-Ring, Lock Washer & Loctite 222
12	001065-45	O-Ring
13	014200-45	Star Washer, Anti-Rotation
14	002711-40CA	Spindle Asm, Eterna Cold, (Lead-Free)
15	012442-40CA	Cold Eterna Spindle Assembly w/ Spring Check (Lead-Free)
16	001660-45	Blue Index-CW
17	002290-45	Lock Washer
18	000965-45	Lock Nut
19	012534-45	Flexible Connector Hose (2)
20	002712-40CA	Spindle Asm, Eterna Hot (Lead-Free)
21	012443-40CA	Hot Eterna Spindle Assembly w/ Spring Check (Lead-Free)
22	001638-45	Lever Handle
23	001661-45	Red Index-HW
24	000922-45	Lever Handle Screw

Product Specifications:

EasyInstall Pre-Rinse Unit:
Single Deck Mount Base Mixing Faucet, Flexible Supply Hoses,
24" Riser, Overhead Spring, 44" Flex Hose, CA-0107 Spray Valve

Drawn GEF	Checked ARH	Approved JHB
Scale: 1:8		Date: 03/23/09