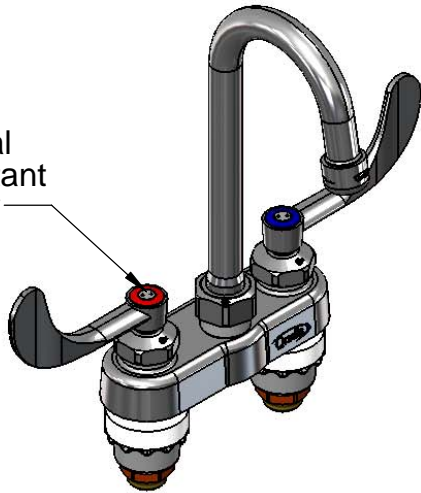




ADA COMPLIANT

Vandal Resistant Screw



*This Space for Architect/Engineer Approval*

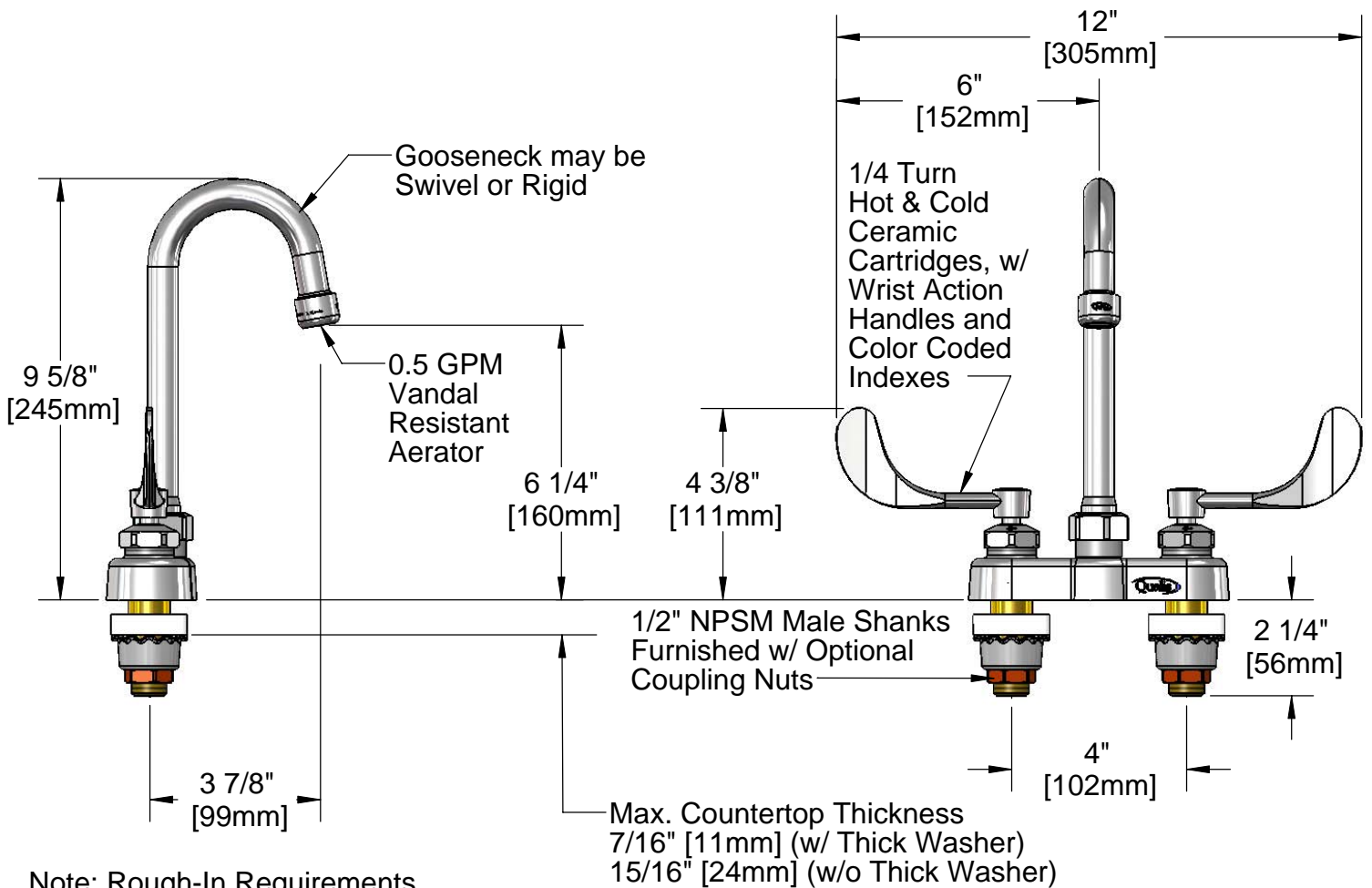
Job Name \_\_\_\_\_ Date \_\_\_\_\_

Model Specified \_\_\_\_\_ Quantity \_\_\_\_\_

Customer/Wholesaler \_\_\_\_\_

Contractor \_\_\_\_\_

Architect/Engineer \_\_\_\_\_



Note: Rough-In Requirements  
(2)  $\phi$  1" [25mm] Holes

Model Number  
Q-438WA-VR5C

Date  
08/11/09

Scale  
1:4

Drawn  
JRM

Checked  
KJG

Approved  
JHB



Product Specifications:  
4" Centerset Mixing Faucet, Ceramic Cartridges, Wrist Action Handles w/ Vandal Resistant Screws, 3 1/2" Gooseneck (GN-A), 0.5 GPM Vandal Resistant Aerator



T&S BRASS AND BRONZE WORKS, INC.  
2 Saddleback Cove, P.O. Box 1088  
Travelers Rest, South Carolina 29690

Phone: 800.476.4103 Fax: 800.834.3518, Simi Valley 800.423.0750

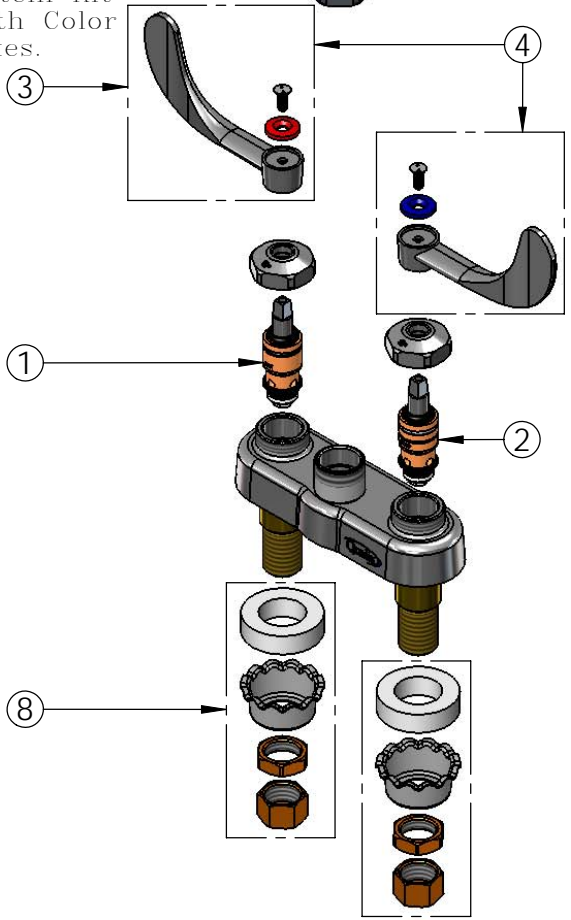


REG. #A2601  
ISO #9001


ITEM NO.	SALES NO.	DESCRIPTION
1	Q015387-40	Standard Compression Cartridge, Hot
2	Q-015388-40	Standard Compression Cartridge, Cold
3	Q015975-40-VR	Wrist Action Handle, 1-Pack w/ Vandal Resistant Screw & Spanner Bit
4	Q015974-40-VR	Wrist Action Handle, 2-Pack w/ Vandal Resistant Screw & Spanner Bit
5	Q015379-40	3 1/2" Gooseneck (GN-A)
6	Q016062-45	Kit, Swivel/Rigid Gooseneck Repair
7	Q016071-45	Aerator, VR Female, 0.5 GPM w/ Key
8	Q015424-40	Shank Hardware




**Note:** This Item Kit includes Both Color Coded Indexes.



**VANDAL RESISTANT TOOLS**



**Aerator Key**  
#Q015425-45



**Spanner Bit**  
#Q014075-45

Model Number Q-438WA-VR5C	Date 08/11/09	Scale 1:4	Drawn JRM	Checked KJG	Approved JHB
------------------------------	------------------	--------------	--------------	----------------	-----------------



Product Specifications:  
 4" Centerset Mixing Faucet, Ceramic Cartridges, Wrist Action Handles w/ Vandal Resistant Screws, 3 1/2" Gooseneck (GN-A), 0.5 GPM Vandal Resistant Aerator



T&S BRASS AND BRONZE WORKS, INC.  
 2 Saddleback Cove, P.O. Box 1088  
 Travelers Rest, South Carolina 29690  
 Phone: 800.476.4103 Fax: 800.834.3518, Simi Valley 800.423.0750



REG. #A2601  
 ISO #9001