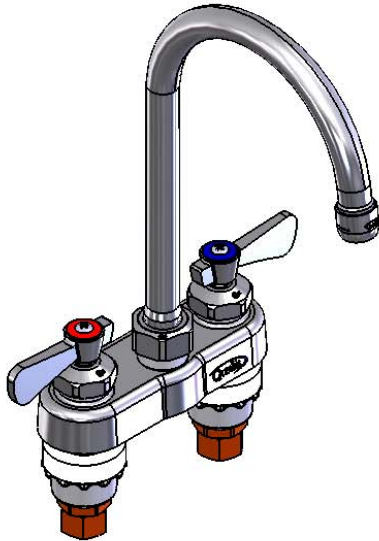




ADA COMPLIANT



*This Space for Architect/Engineer Approval*

Job Name \_\_\_\_\_ Date \_\_\_\_\_

Model Specified \_\_\_\_\_ Quantity \_\_\_\_\_

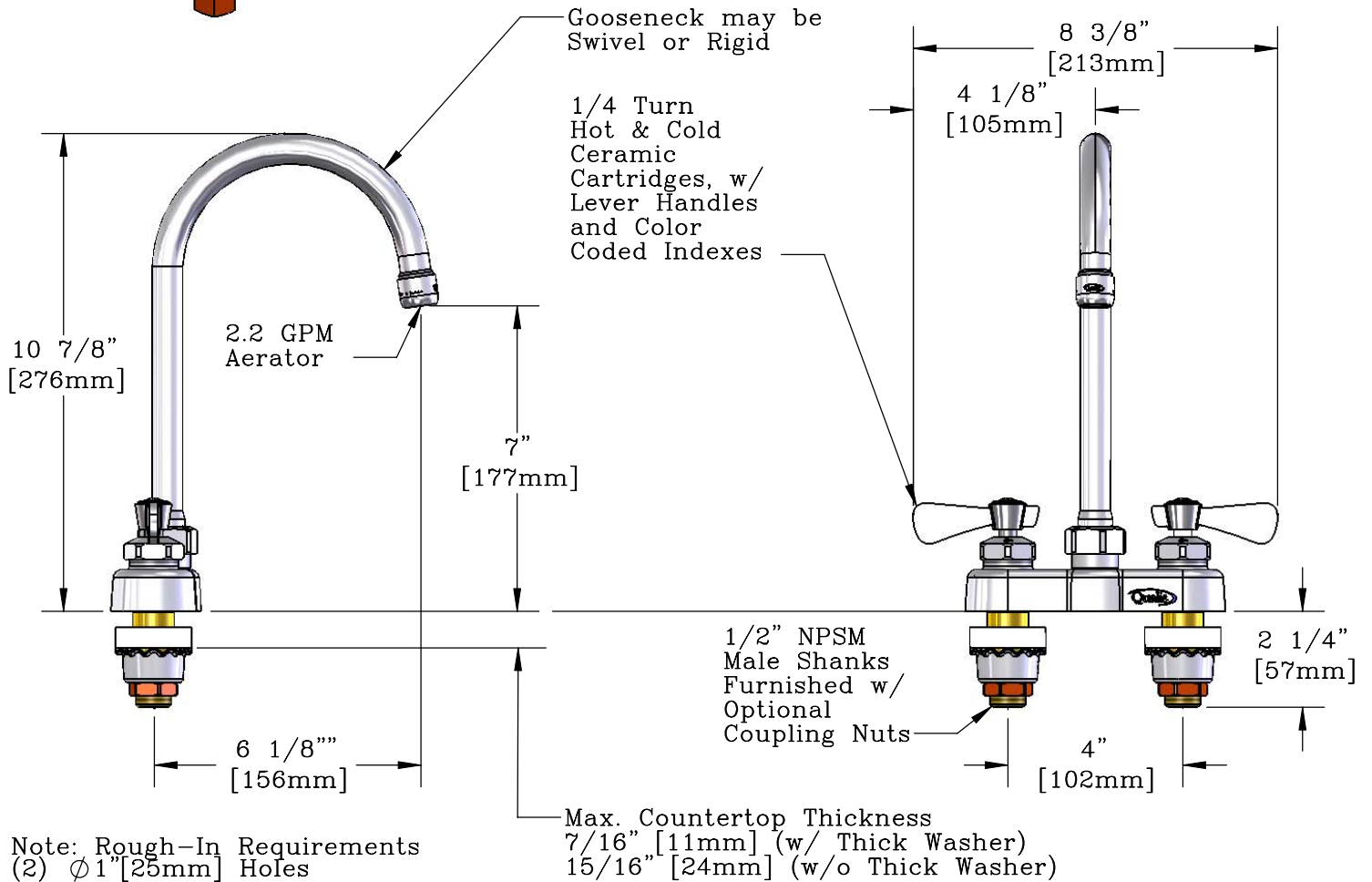
Customer/Wholesaler \_\_\_\_\_

Contractor \_\_\_\_\_

Architect/Engineer \_\_\_\_\_

Available Options

Model Suffix #	Description
<input type="checkbox"/> -5A	2.2 GPM VR Aerator
<input type="checkbox"/> -5B	0.5 GPM Aerator
<input type="checkbox"/> -5C	0.5 GPM VR Aerator
<input type="checkbox"/> -5D	2.2 GPM Laminar Flow
<input type="checkbox"/>	
<input type="checkbox"/> -VR5C	Complete VR Pkg (0.5 GPM)
<input type="checkbox"/> -VR5A	Complete VR Pkg (2.2 GPM)
<input type="checkbox"/>	



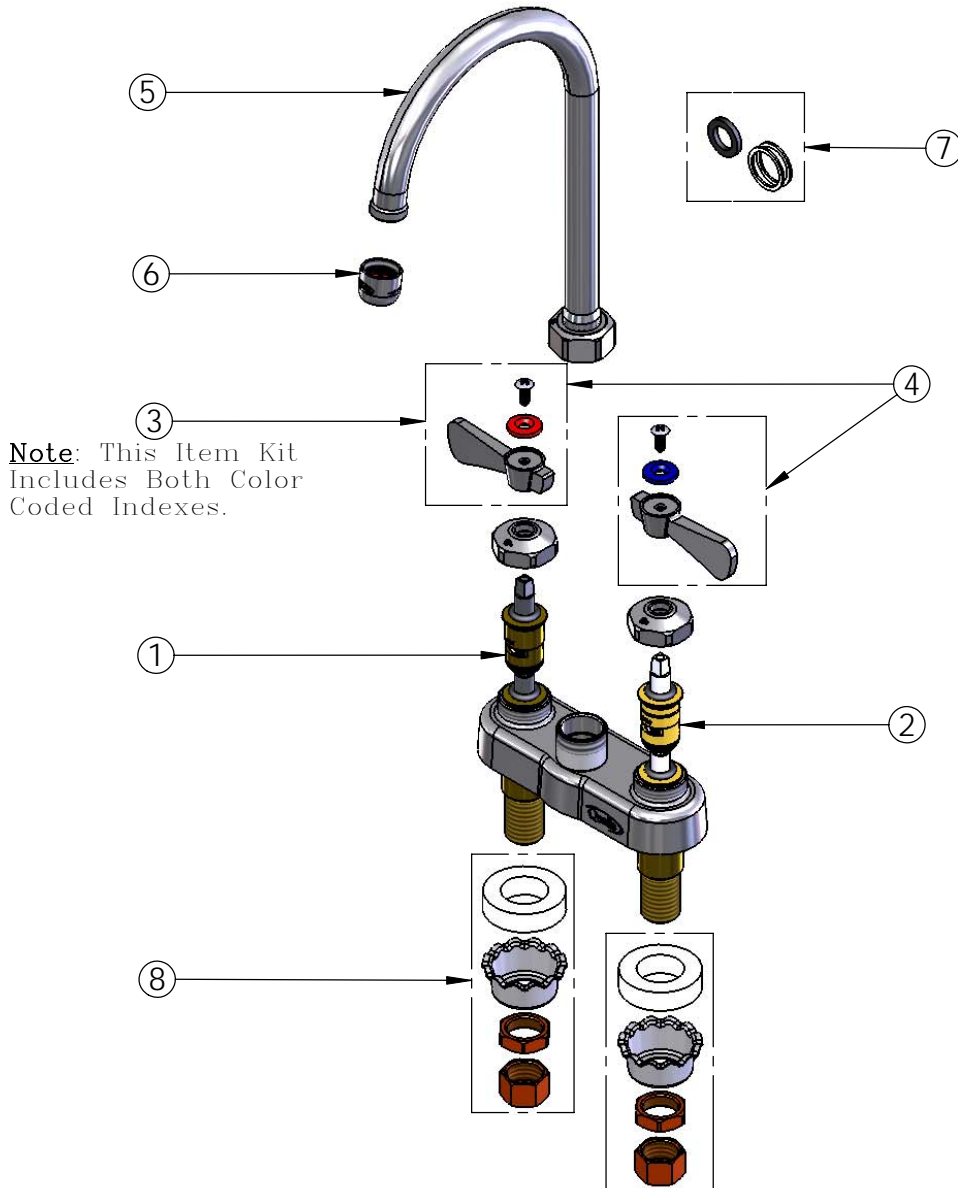
Model Number Q-438YB	Date 08/11/09	Scale 1:4	Drawn JRM	Checked KJG	Approved JHB
-------------------------	------------------	--------------	--------------	----------------	-----------------

Product Specifications:  
**4" Centerset Mixing Faucet, Ceramic Cartridges,  
 Lever Handles, 5 3/4" Gooseneck (GN-B),  
 2.2 GPM Aerator**

T&S BRASS AND BRONZE WORKS, INC.  
 2 Saddleback Cove, P.O. Box 1088  
 Travelers Rest, South Carolina 29690  
 Phone: 800.476.4103 Fax: 800.834.3518, Simi Valley 800.423.0750

REG. #A2601  
 ISO #9001

ITEM NO.	SALES NO.	DESCRIPTION
1	Q015383-40	Standard Ceramic Cartridge, Hot
2	Q015384-40	Standard Ceramic Cartridge, Cold
3	Q015973-40	Lever Handle, 1-Pack Kit
4	Q015972-40	Lever Handle, 2-Pack Kit
5	Q015378-40	5 3/4" Gooseneck (GN-B)
6	Q014986-45	Aerator, Female, 2.2 GPM
7	Q016062-45	GN Swivel/Rigid Kit
8	Q015424-40	Shank Hardware



Model Number Q-438YB	Date 08/11/09	Scale 1:4	Drawn JRM	Checked KJG	Approved JHB
-------------------------	------------------	--------------	--------------	----------------	-----------------



Product Specifications:  
 4" Centerset Mixing Faucet, Ceramic Cartridges,  
 Lever Handles, 5 3/4" Gooseneck (GN-B),  
 2.2 GPM Aerator



T&S BRASS AND BRONZE WORKS, INC.  
 2 Saddleback Cove, P.O. Box 1088  
 Travelers Rest, South Carolina 29690  
 Phone: 800.476.4103 Fax: 800.834.3518, Simi Valley 800.423.0750



REG. #A2601  
 ISO #9001