



ADA COMPLIANT



This Space for Architect/Engineer Approval

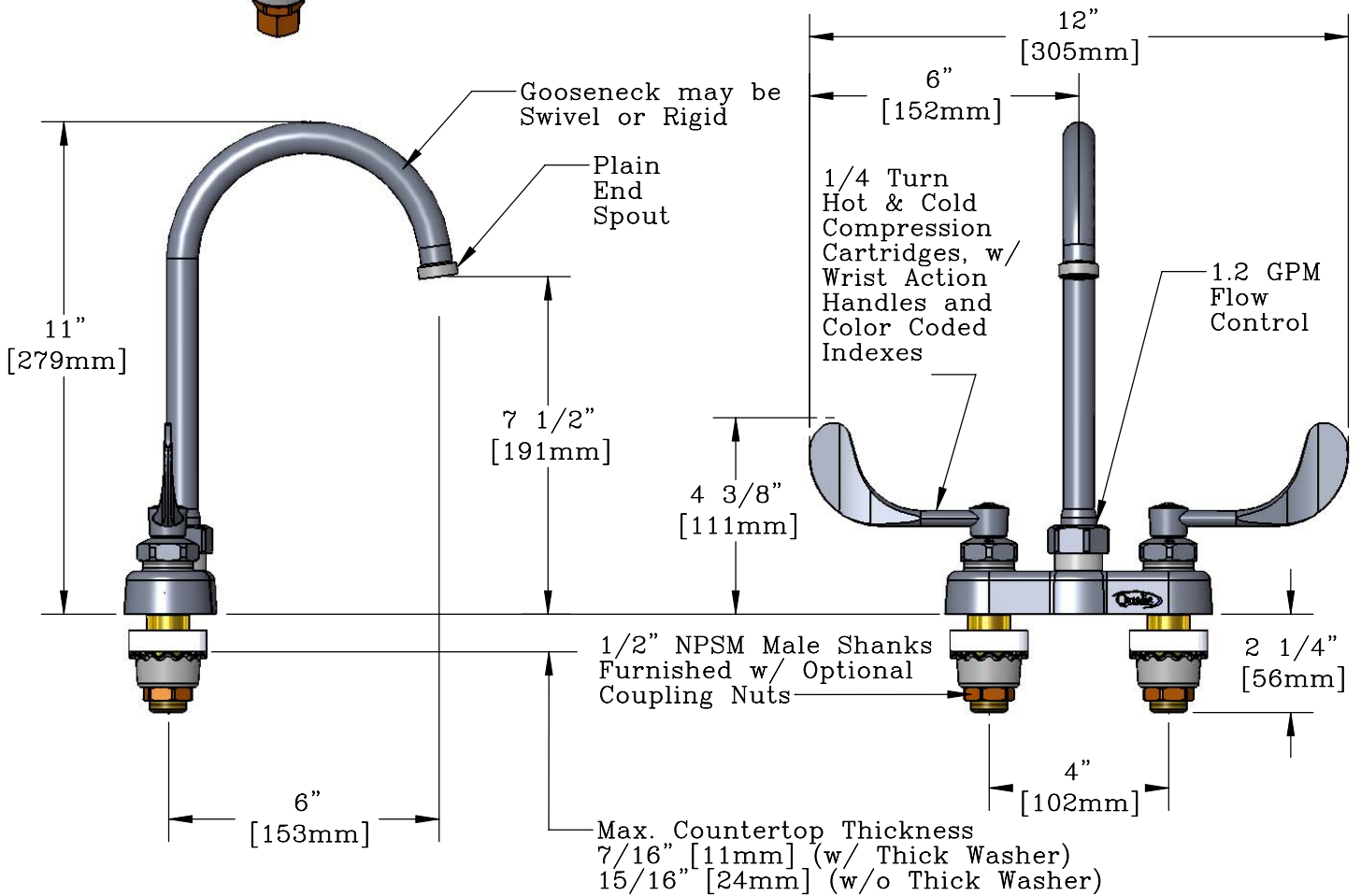
Job Name _____ Date _____

Model Specified _____ Quantity _____

Customer/Wholesaler _____

Contractor _____

Architect/Engineer _____



Note: Rough-In Requirements
(2) \varnothing 1" [25mm] Holes

Model Number Q-439WB-5W	Date 08/11/09	Scale 1:4	Drawn JRM	Checked KJG	Approved JHB
----------------------------	------------------	--------------	--------------	----------------	-----------------



Product Specifications:
4" Centerset Mixing Faucet, Compression Cartridges,
Wrist Action Handles, 5 3/4" Gooseneck (GN-B),
1.2 GPM Flow Control



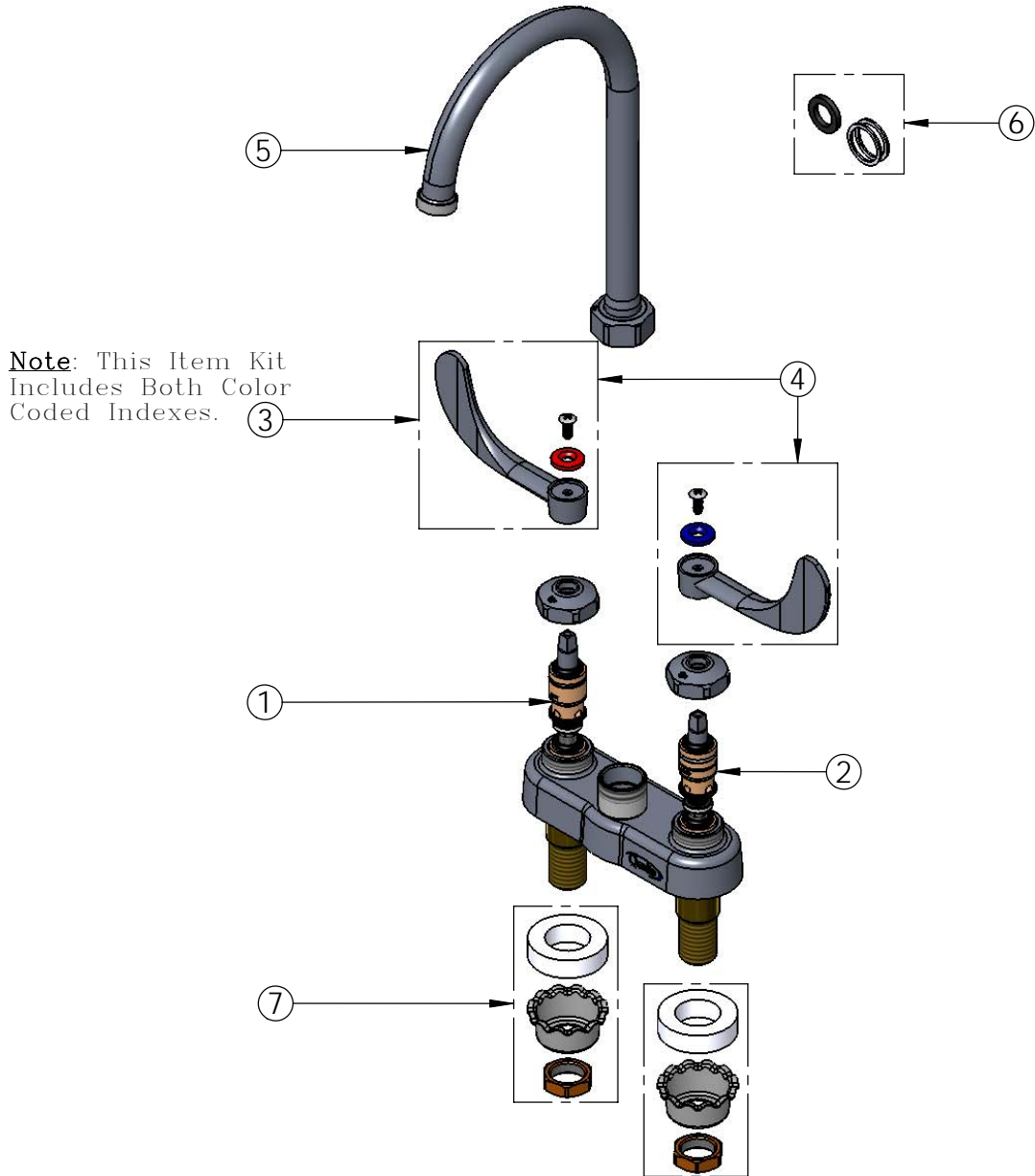
T&S BRASS AND BRONZE WORKS, INC.
2 Saddleback Cove, P.O. Box 1088
Travelers Rest, South Carolina 29690

Phone: 800.476.4103 Fax: 800.834.3518, Simi Valley 800.423.0750



REG. #A2601
ISO #9001

ITEM NO.	SALES NO.	DESCRIPTION
1	Q015387-40	Standard Compression Cartridge, Hot
2	Q015388-40	Standard Compression Cartridge, Cold
3	Q015975-40	Wrist Action Handle, 1-Pack Kit
4	Q015974-40	Wrist Action Handle, 2-Pack Kit
5	Q015440-40	5 3/4" Gooseneck (GN-B) w/ 1.2 GPM Flow Control & Spout Ring
6	Q016062-45	GN Swivel/Rigid Kit
7	Q015424-40	Shank Hardware



Model Number Q-439WB-5W	Date 08/11/09	Scale 1:4	Drawn JRM	Checked KJG	Approved JHB
----------------------------	------------------	--------------	--------------	----------------	-----------------



Product Specifications:
**4" Centerset Mixing Faucet, Compression Cartridges,
Wrist Action Handles, 5 3/4" Gooseneck (GN-B),
1.2 GPM Flow Control**



REG. #A2601
ISO #9001



T&S BRASS AND BRONZE WORKS, INC.
2 Saddleback Cove, P.O. Box 1088
Travelers Rest, South Carolina 29690
Phone: 800.476.4103 Fax: 800.834.3518, Simi Valley 800.423.0750