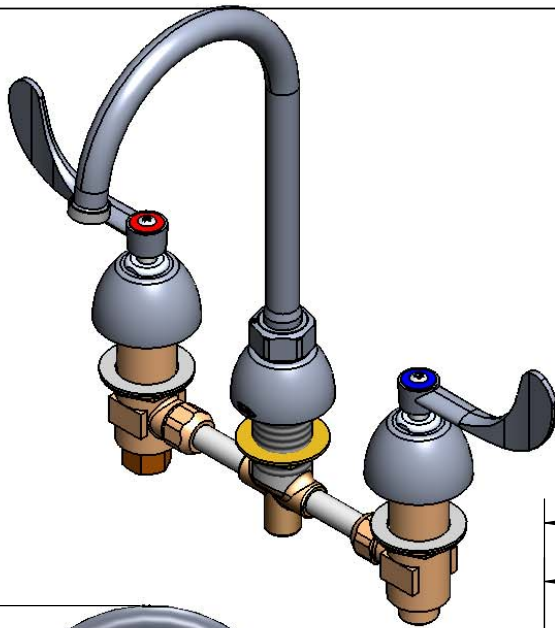




ADA COMPLIANT



*This Space for Architect/Engineer Approval*

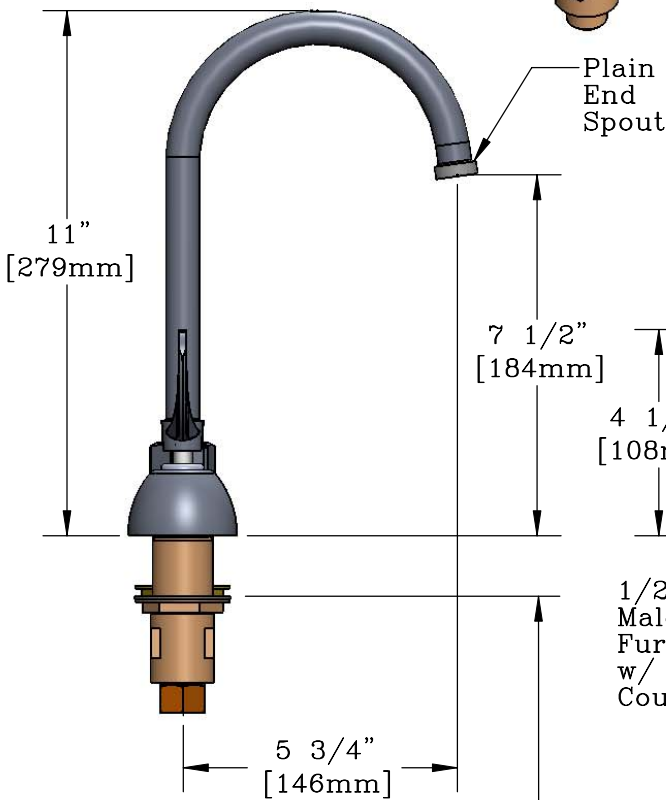
Job Name \_\_\_\_\_ Date \_\_\_\_\_

Model Specified \_\_\_\_\_ Quantity \_\_\_\_\_

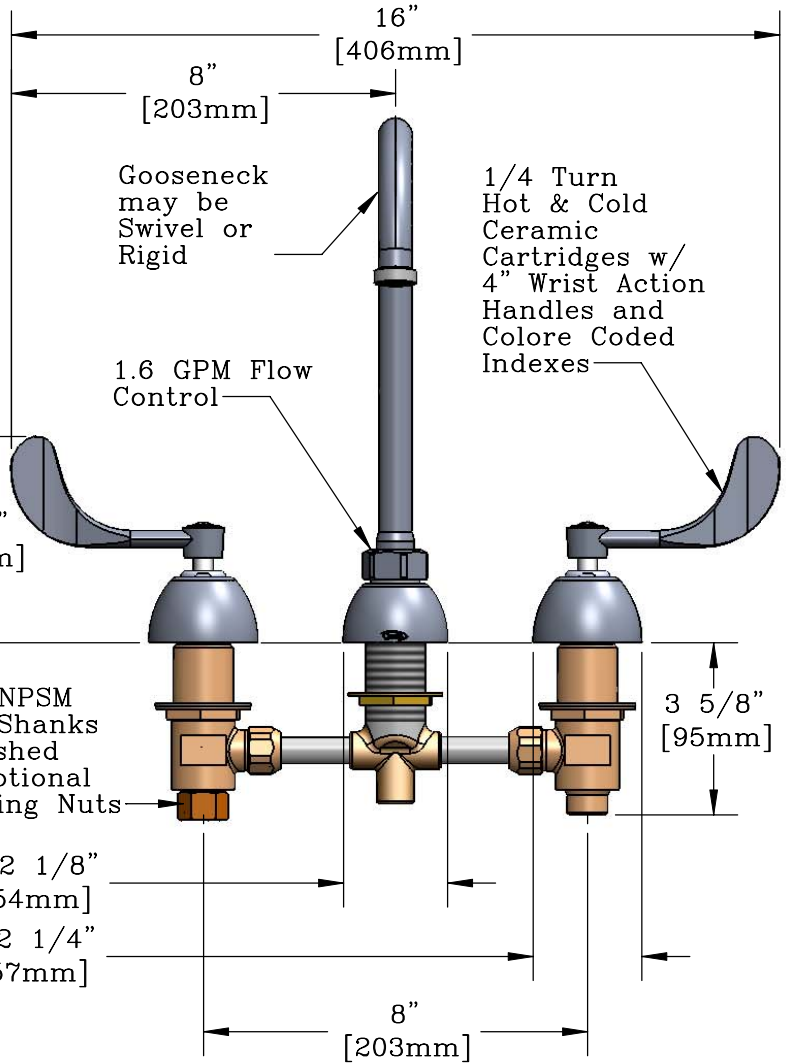
Customer/Wholesaler \_\_\_\_\_

Contractor \_\_\_\_\_

Architect/Engineer \_\_\_\_\_



Max. Countertop Thickness  
1 7/16" [37mm]



Note: Rough-In Requirements  
(3) Ø1 1/2" [Ø38mm] Hole  
(Ø1 1/4" [Ø32mm] Minimum)

Model Number Q-858WB-5X	Date 08/11/09	Scale 1:4	Drawn JRM	Checked KJG	Approved JHB
----------------------------	------------------	--------------	--------------	----------------	-----------------



Product Specifications:  
8" Widespread Mixing Faucet, Ceramic Cartridges, Wrist Action Handles, 5 3/4" Gooseneck (GN-B), 1.6 GPM Flow Control



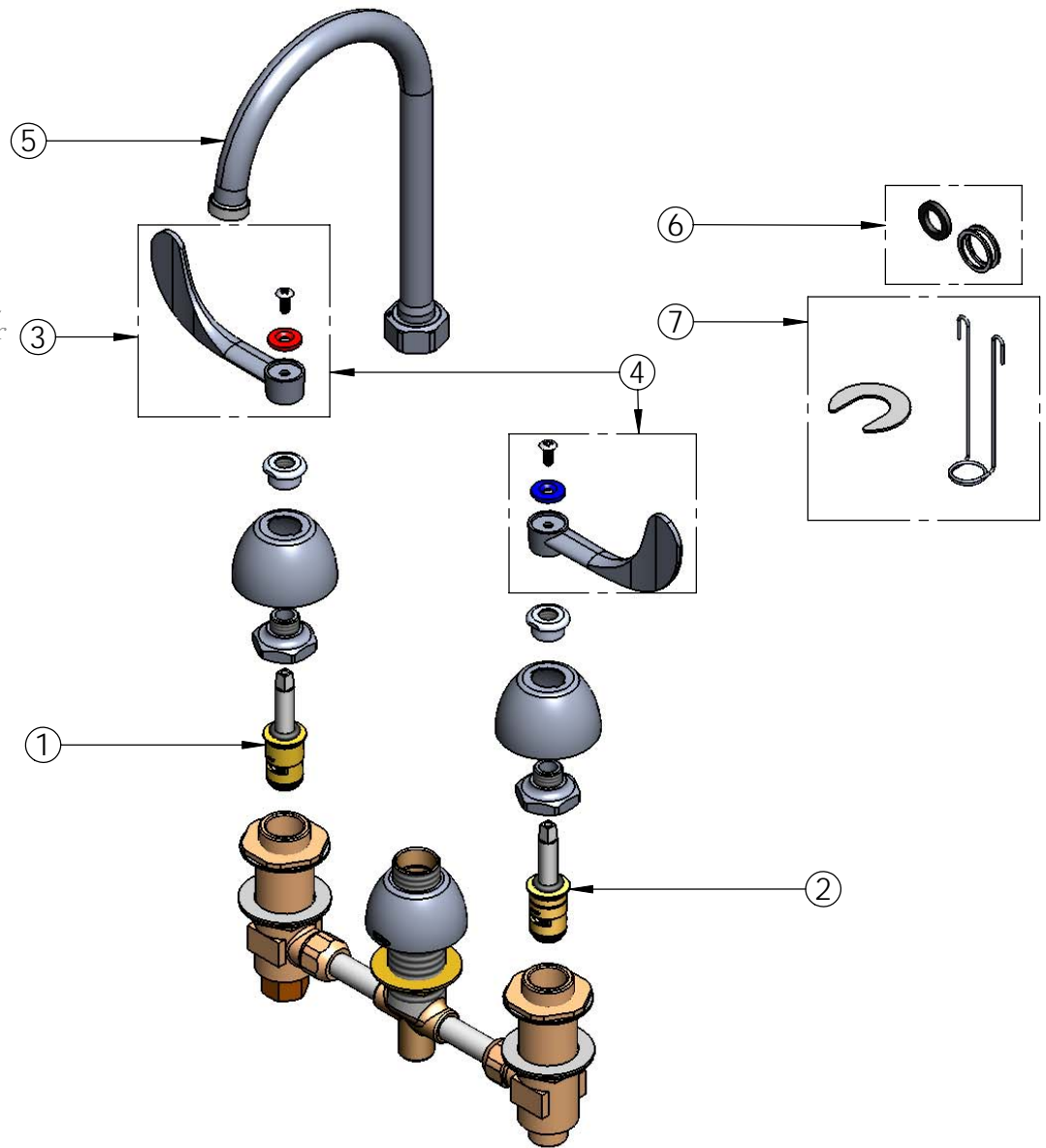
T&S BRASS AND BRONZE WORKS, INC.  
2 Saddleback Cove, P.O. Box 1088  
Travelers Rest, South Carolina 29690

Phone: 800.476.4103 Fax: 800.834.3518, Simi Valley 800.423.0750



REG. #A2601  
ISO #9001

ITEM NO.	SALES NO.	DESCRIPTION
1	Q015385-40	Long Ceramic Cartridge, Hot
2	Q015386-40	Long Ceramic Cartridge, Cold
3	Q015975-40	Wrist Action Handle, 1-Pack Kit
4	Q015974-40	Wrist Action Handle, 2-Pack Kit
5	Q016234-40	5 3/4" Gooseneck (GN-B) w/ 1.6 GPM Flow Control & Spout Ring
6	Q016062-45	GN Swivel/Rigid Kit
7	Q015984-45	Trim Installation Package



Note: This Item Kit Includes Both Color Coded Indexes.

Model Number Q-858WB-5X	Date 08/11/09	Scale 1:4	Drawn JRM	Checked KJG	Approved JHB
----------------------------	------------------	--------------	--------------	----------------	-----------------

Product Specifications:  
8" Widespread Mixing Faucet, Ceramic Cartridges,  
Wrist Action Handles, 5 3/4" Gooseneck (GN-B),  
1.6 GPM Flow Control



T&S BRASS AND BRONZE WORKS, INC.  
2 Saddleback Cove, P.O. Box 1088  
Travelers Rest, South Carolina 29690  
Phone: 800.476.4103 Fax: 800.834.3518, Simi Valley 800.423.0750



REG. #A2601  
ISO #9001