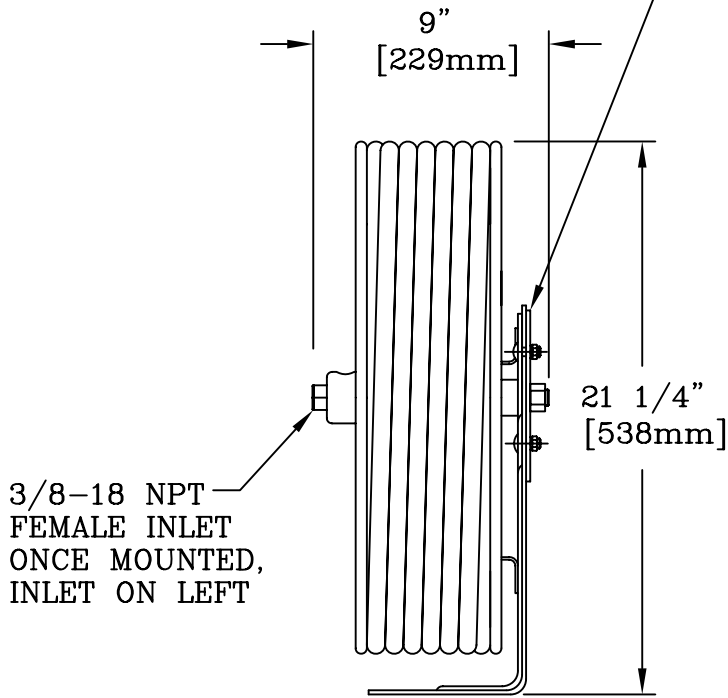
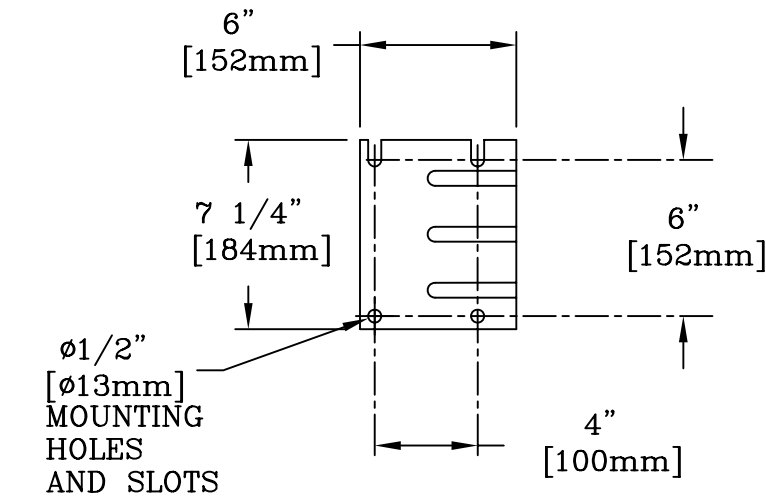
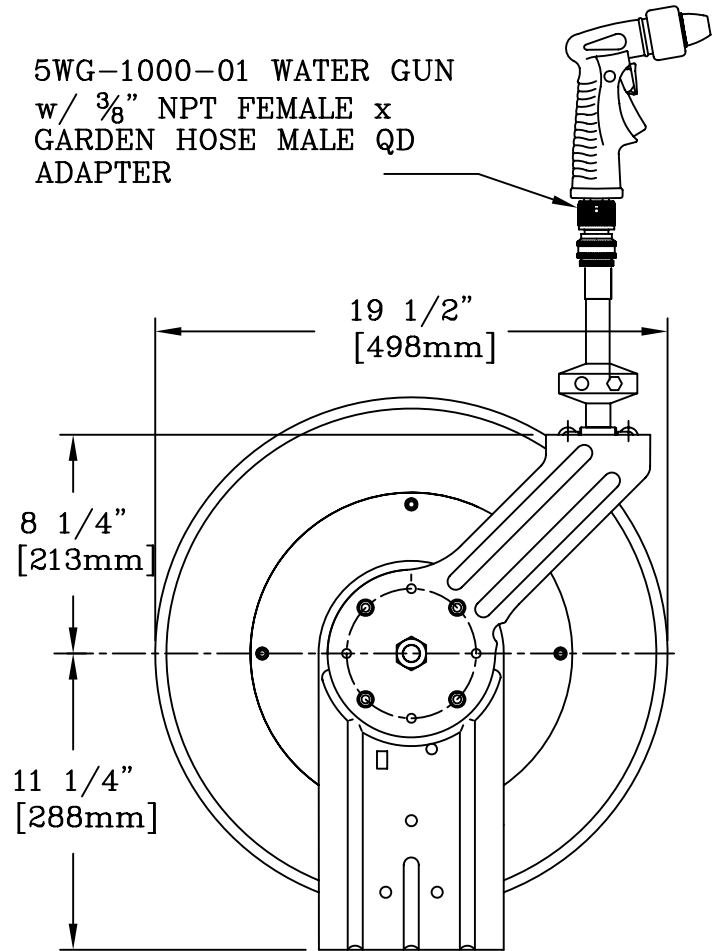


HOSE GUIDE NOT SHOWN FOR CLARITY



5WG-1000-01 WATER GUN  
w/ 3/8" NPT FEMALE x  
GARDEN HOSE MALE QD  
ADAPTER




NOTE: HOSE RATINGS ARE AS FOLLOWS:  
PRESSURE: 300 PSI MAX.  
TEMPERATURE: 0°-176°F

MODEL NUMBER	5HR-242-09	DATE	01/05/09	SCALE	1:8	DRAWING SIZE	A	DRAWN	JRM	CHECKED	DHL	APPROVED	JHB
--------------	------------	------	----------	-------	-----	--------------	---	-------	-----	---------	-----	----------	-----



DESCRIPTION OPEN HOSE REEL, BLACK POWDER COATED STEEL :  
3/8" x 50' BLACK HOSE & 5WG-1000-01 WATER GUN

equip Foodservice Accessories  REG.#A2601  
ISO #9001  
P.O. BOX 1088, 2 SADDLEBACK COVE  
TRAVELERS REST, SOUTH CAROLINA 29690  
PHONE: 800.891.4808 FAX: 800.868.0084